

# CON-E-CO<sup>®</sup>

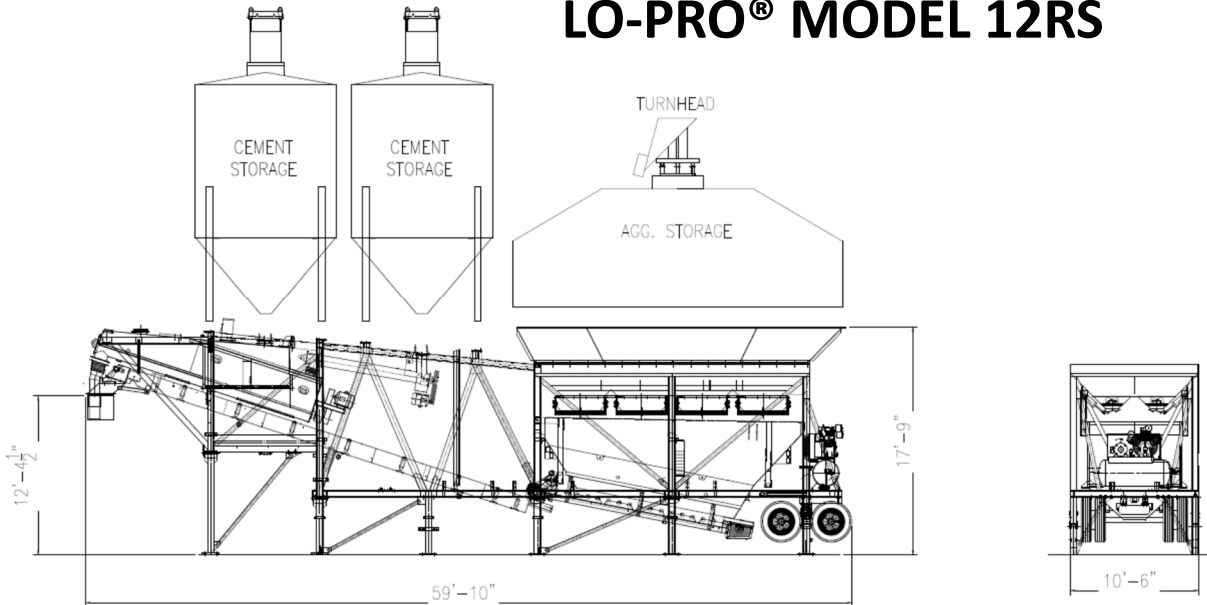
An Astec Industries Company



## LO-PRO<sup>®</sup> 12RS

concrete batch plant

# LO-PRO® MODEL 12RS



## SPECIFICATIONS

### PRODUCTION CAPACITY:

Theoretical Cycle Time - 2.5 to 3 minutes.

### BATCHER CAPACITY:

Aggregate - 1 to 12 cubic yards (1 to 9.2 cubic meters)  
 Cement - 1 to 12 cubic yards (1 to 9.2 cubic meters)  
 Scales - Direct Load Cells.

### AGGREGATE BATCHER CONVEYOR:

30" wide (762 mm), 10 horsepower drive. Optional 15 horsepower drive.

### AGGREGATE DISCHARGE CONVEYOR:

30" wide (762 mm), 10 horsepower drive. Optional 36" (914 mm), 15 horsepower

### CEMENT BATCHER RECIRCULATING SCREW:

14" diameter (360 mm), 15 horsepower Optional 18" diameter (460 mm), 20 horsepower.

### CEMENT II FEEDER SCREW:

9" diameter (230 mm), 15 horsepower drive. Optional 12" diameter (300 mm), 20 horsepower.

### CEMENT AERATION:

5 horsepower, high volume, low pressure blower.

### HIGH PRESSURE AIR COMPRESSOR:

10 horsepower, 120 gallon (0.45 cubic meters). Optional 15, 20, 25 or 30 horsepower, 120 gallon (0.45 cubic meters).

### ELECTRICAL:

460 volt, 3-phase with 120 VAC transformer for control voltage. All motors are TEFC. All motor circuit wiring protected by individual circuit breakers. Electrical components housed in NEMA steel enclosures.

### BATCH CONTROL SYSTEM:

Semi-automatic cut-off of cement by presets on digital readouts. Push-button for electric over air on gates. Optional fully automatic computerized batch control system.

### WATER METER:

3" diameter (77 mm) with up to 500 gallons (1,740 liters) per minute.

### TRANSPORTATION SYSTEM:

Rear-mounted 36,000 lb. (16,330 kg) capacity tandem axle with eight (8) 255/70R 22.5 tires, wheels, air brakes heavy duty spring suspension, tail and brake lights, and fifth wheel rub plant with king pin.

### STORAGE BIN CAPACITIES:

#### AGGREGATE HEAPED VOLUME

59 to 270 cubic yards

45 to 200 cubic meters

#### CEMENT I GROSS VOLUME

1,600 to 4,920 cubic feet

45 to 139 cubic meters

#### CEMENT II GROSS VOLUME

1,600 to 4,920 cubic feet

45 to 139 cubic meters

### DIMENSIONS:

Towing length..... 51'-0" (15,545 mm)

Towing height..... 14'-3" (4,345 mm)

Towing width..... 10'-6" (3,200 mm)

Empty weight, total..... 44,000 lbs. (19,958 kg)

### SHIPPING DIMENSIONS:

Length ..... 61'-0" (18,593 mm)

Height ..... 14'-3" (4,345 mm)

Width ..... 10'-6" (3,200 mm)

Shipping Volume ..... 9,127 cubic feet (258 cubic meters)

237 North 13th Street - Blair, Nebraska 68008 - 402-426-4181 - Fax 402-426-4180 - www.con-e-co.com

sales@con-e-co.com

PROUD MEMBER OF



# CON-E-CO®

SOLID PRODUCTS. SOLID PERFORMANCE