



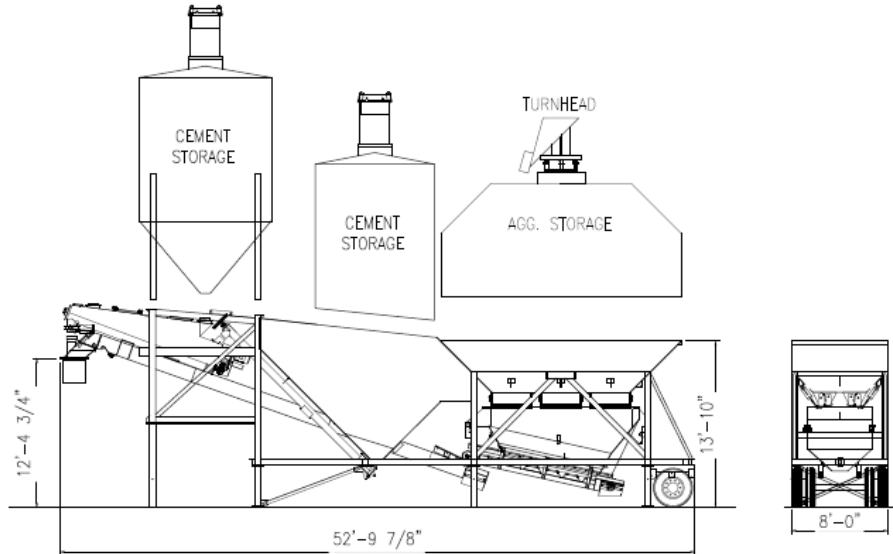
---

## LO-PRO<sup>®</sup> 5

concrete batch plant

---

# LO-PRO<sup>®</sup> MODEL 5



## SPECIFICATIONS

### PRODUCTION CAPACITY:

Theoretical Cycle Time - 2.5 to 3 minutes

### BATCHER CAPACITY:

Aggregate - 1 to 5 cubic yards (1 to 3.8 cubic meters)

Cement - 1 to 5 cubic yards (1 to 3.8 cubic meters)

Scales - Direct Load Cells

### AGGREGATE BATCHER CONVEYOR:

24" wide (610 mm), 10 horsepower drive.

### AGGREGATE DISCHARGE CONVEYOR:

24" wide (610 mm), 10 horsepower drive.

### CEMENT BATCHER RECIRCULATING SCREW:

12" diameter (305 mm), 10 horsepower

### CEMENT FEEDER SCREWS:

Two each - 6" diameter (152 mm), 10 horsepower drive.

### CEMENT AERATION:

6.3 horsepower, high volume, low pressure blower.

### HIGH PRESSURE AIR COMPRESSOR:

10 horsepower, 80 gallon (0.30 cubic meters). Optional 15 horsepower, 80 gallon (0.30 cubic meters).

### ELECTRICAL:

460 volt, 3-phase with 120 VAC transformer for control voltage. All motors are TEFC. All motor circuit wiring protected by individual circuit breakers. Electrical components housed in NEMA steel enclosures. Wiring in conduit.

### BATCH CONTROL SYSTEM:

Semi-automatic cut-off of cement by presets on digital readouts. Push-button for electric over air on gates. Optional fully automatic computerized batch control system

### WATER METER:

3" diameter (77 mm) with up to 500 gallons (1,740 liters) per minute

### TRANSPORTATION SYSTEM:

Rear-mounted 19,000 lb. (9,090 kg) capacity single axle with four (4) 255/70R 22.5 tires, wheels, air brakes heavy duty spring suspension, tail and brake lights, and fifth wheel rub plant with king pin.

### STORAGE BIN CAPACITIES:

AGGREGATE	HEAPED VOLUME
	26 to 86 cubic yards
	19 to 65 cubic meters
CEMENT I	GROSS VOLUME
	716 to 2,360 cubic feet
	20 to 66 cubic meters
CEMENT II	GROSS VOLUME
	1,600 cubic feet
	45 cubic meters

### DIMENSIONS:

Towing length.....	45'-3" (13,790 mm)
Towing height.....	14'-2" (4,318 mm)
Towing width.....	8'-0" (2,440 mm)
Empty weight, total.....	37,600 lbs. (17,091 kg)

### SHIPPING DIMENSIONS:

Length .....	54'-0" (16,460 mm)
Height .....	14'-2" (4,318 mm)
Width .....	8'-0" (23439 mm)
Shipping Volume .....	6,118 cubic feet (173 cubic meters)

237 North 13th Street - Blair, Nebraska 68008 - 402-426-4181 - Fax 402-426-4180 - [www.con-e-co.com](http://www.con-e-co.com)

[sales@con-e-co.com](mailto:sales@con-e-co.com)

PROUD MEMBER OF



**CON-E-CO<sup>®</sup>**  
SOLID PRODUCTS. SOLID PERFORMANCE