

CON-E-CO[®]

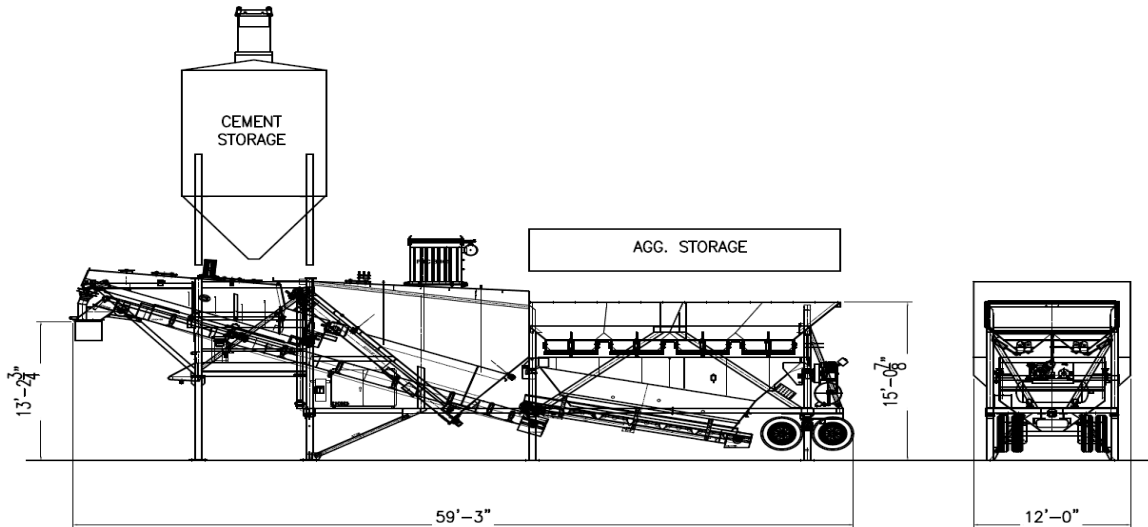
An Astec Industries Company



LO-PRO[®] 327

concrete batch plant

LO-PRO[®] MODEL 327



SPECIFICATIONS

PRODUCTION CAPACITY:

Theoretical Cycle Time - 2.5 to 3 minutes

BATCHER CAPACITY:

Aggregate - 1 to 12 cubic yards (1 to 9.2 cubic meters)
 Cement - 1 to 12 cubic yards (1 to 9.2 cubic meters)
 Scales - Direct Load Cells

AGGREGATE BATCHER CONVEYOR:

30" wide (762 mm), 15 horsepower drive.

AGGREGATE DISCHARGE CONVEYOR:

30" wide (762 mm), 10 horsepower drive. Optional
 36" (914 mm), 15 horsepower.

CEMENT BATCHER RECIRCULATING SCREW:

14" diameter (360 mm), 15 horsepower.

CEMENT FEEDER SCREWS:

Two 9" diameter (230 mm), 15 horsepower drive. Optional
 12" diameter (300 mm), 20 horsepower.

CEMENT AERATION:

6.3 horsepower, high volume, low pressure blower.

OPTIONAL:

Main frame mounted central dust collector

HIGH PRESSURE AIR COMPRESSOR:

10 horsepower, 120 gallon (0.45 cubic meters). Optional 15 or 20
 horsepower, 120 gallon (0.45 cubic meters).

ELECTRICAL:

460 volt, 3-phase with 120 VAC transformer for control voltage. All
 motors are TEFC. All motor circuit wiring protected by individual cir-
 cuit breakers. Electrical components housed in NEMA steel enclo-
 sures. Wiring in conduit.

BATCH CONTROL SYSTEM:

Semi-automatic cut-off of cement by presets on digital readouts. Push-
 Button for electric over air on gates. Optional fully automatic computerized
 batch control system.

WATER METER:

3" diameter (77 mm) with up to 500 gallons (1,740 liters) per minute

TRANSPORTATION SYSTEM:

Rear-mounted 36,000 lb. (16,330 kg) capacity tandem axle with eight (8)
 22.5 tires, wheels, air brakes, heavy duty spring suspension, tail
 and brake lights, and fifth wheel rub plate with king pin.

STORAGE BIN CAPACITIES:

AGGREGATE	HEAPED VOLUME
	43 to 80 cubic yards
	33 to 61 cubic meters
CEMENT I	GROSS VOLUME
	1,308 cubic feet
	37 cubic meters
CEMENT II	GROSS VOLUME
	1,600 to 2,940 cubic feet
	45 to 83 cubic meters

DIMENSIONS:

Towing length..... 52'-5" (15,977 mm)
 Towing height..... 14'-4" (4,369 mm)
 Towing width..... 12'-0" (3,658 mm)
 Empty weight, total..... 60,000 lbs. (24,948 kg)

SHIPPING DIMENSIONS:

Length 61'-0" (18,593 mm)
 Height 14'-4" (4,369 mm)
 Width 12'-0" (3,658 mm)
 Shipping Volume 10,490 cubic feet (297 cubic meters)

237 North 13th Street - Blair, Nebraska 68008 - 402-426-4181 - Fax 402-426-4180 - www.con-e-co.com

sales@con-e-co.com

PROUD MEMBER OF



CON-E-CO[®]
 SOLID PRODUCTS. SOLID PERFORMANCE