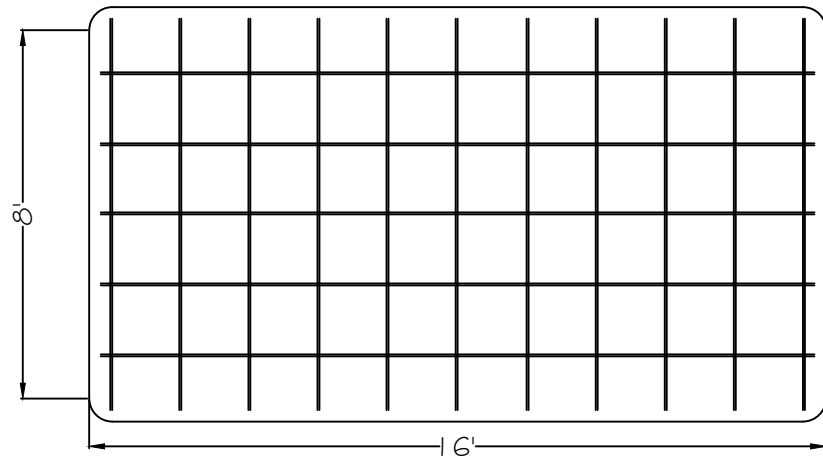
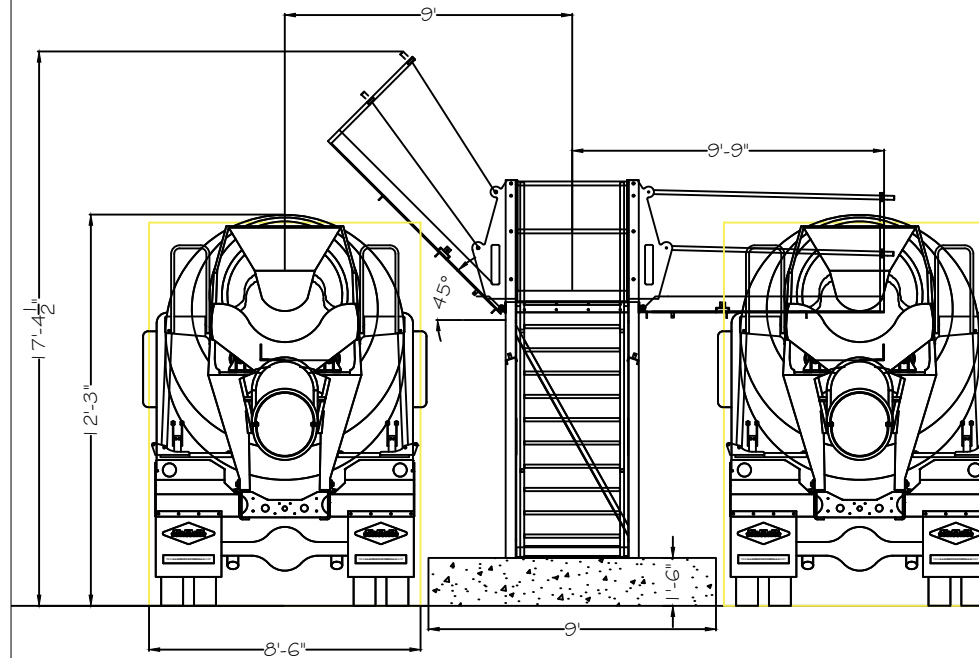
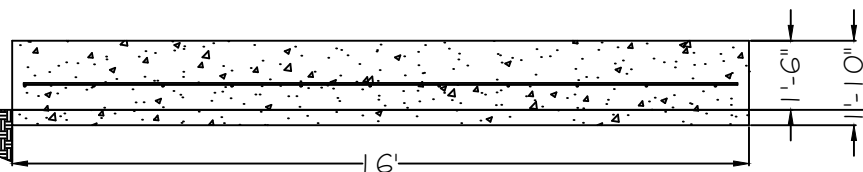


CONCRETE NOTES:

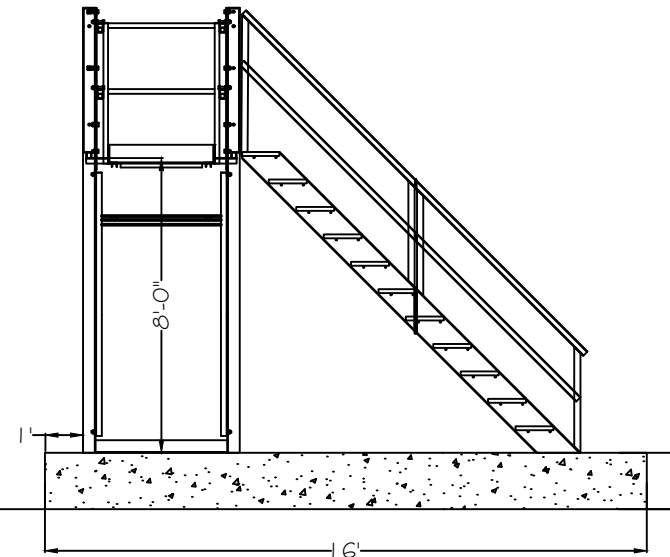
1. CONCRETE SHALL CONTAIN 5 SACKS (MIN) OF PORTLAND CEMENT PER EACH CUBIC YARD. MIX TO BE DESIGNED FOR 4" MAX SLUMP, EXCEPT FOR PUMP MIXES; WHICH SHALL HAVE 6" MAX. SLUMP. ALL CONCRETE SHALL BE VIBRATED WITH MECHANICAL, HIGH-FREQUENCY VIBRATORS AFTER PLACEMENT. ALL CONCRETE SHALL BE WATER CURED FOR 7 DAYS (CURING COMPOUNDS MAY BE USED IN LIEU OF WATER IF APPROVED BY PROJECT ENGINEER). CONSTRUCTION POINTS SHALL BE SANDBLASTED PRIOR TO SUBSEQUENT POURS.
2. MAXIMUM SIZE AGGREGATE FOR CONCRETE SHALL BE 1"
3. ALL CONCRETE REINFORCING STEEL SHALL BE DEFORMED BARS CONFORMING WITH ASTM A615, GRADE 60, EXCEPT STIRRUPS AND TIES WHICH MAY BE GRADE 40. BAR SPLICES SHALL BE 48" DIAMETERS, U.N. CONTINUOUS BARS SHALL BE FULL LENGTH OR HAVE STAGGERED SPLICES. ALL BARS REQUIRING BENDING SHALL BE BENT COLD AND IN ACCORDANCE WITH A.C.I. SPECIFICATIONS.
4. UNLESS OTHERWISE NOTED, CONCRETE COVER SHALL BE 3" FOR CONCRETE POURED DIRECTLY AGAINST EARTH. ELSEWHERE, COVER SHALL BE 2" FOR MAIN REINFORCEMENT AND A MIN. OF 1 1/2" FOR ANY BAR. THE CLEAR DISTANCE BETWEEN PARALLEL BARS SHALL NOT BE LESS THAN THE NOMINAL BAR DIAMETER, 1 1/2 TIMES THE SIZE OF THE MAXIMUM AGGREGATE, OR 1" MINIMUM. ALL CONCRETE REINFORCEMENT, ANCHOR BOLTS, EMBEDS, ETC., SHALL BE ACCURATELY PLACED AND POSITIVELY SECURED BEFORE CONCRETE PLACEMENT IS BEGUN. ALL REINFORCEMENT, ANCHOR BOLTS, EMBEDS, ETC., TO BE FREE OF OIL, GREASE, DIRT, PAINT AND/OR LOOSE RUST BEFORE PLACING CONCRETE.
5. ALL STRUCTURAL STEEL FOR ANCHOR BOLTS AND EMBEDS TO BE ASTM A307.
6. PRIOR TO CONCRETE PLACEMENT, ALL FORMS, REINFORCEMENT, ANCHOR BOLTS, EMBEDS, ETC., SHALL BE INSPECTED CONTINUOUS INSPECTION OF CONCRETE PLACEMENT SHALL BE PROVIDED IN CONFORMANCE WITH THE U.B.C. SPECIAL INSPECTION IS REQUIRED ON PLACEMENT OF THE ANCHOR BOLTS.
7. ALL CONCRETE IS DESIGNED FOR $f_c = 2,500$ PSI @ 28 DAYS, U.N. DESIGN SOIL BEARING PRESSURE IS 2,000 PSF.
8. PRIOR TO PLACEMENT OF REINFORCING STEEL AND CONCRETE, UNDERLYING SOILS ARE TO BE PREPARED IN ACCORDANCE WITH U.B.C. AND THE GEOTECHNICAL ENGINEERING INVESTIGATION BY TECHNICON, TES#7115.1 DATED MARCH 26, 01
9. ALL CONCRETE EXPOSED CORNERS AND EDGES TO BE CHAMFERED 1/4", U.N.
10. NO BACKFILLING AGAINST OR LOADING ON STRUCTURAL CONCRETE SHALL OCCUR UNTIL CONCRETE HAS REACHED ITS DESIGN STRENGTH. PLACEMENT OF BACKFILLING IS BY CONTRACTOR. BACKFILL SHALL BE COMPACTED TO 90 % RELATIVE DENSITY, U.N.
11. ALL REINFORCING STEEL FABRICATION AND PLACING DRAWINGS SHALL BE SUBMITTED TO OWNER FOR REVIEW AND APPROVAL PRIOR TO FABRICATION.
12. ALL CONSTRUCTION JOINTS SHALL BE CLEANED OF ALL DIRT AND LAITANCE. JOINTS SHALL BE THOROUGHLY WETTED IMMEDIATELY PRIOR TO PLACEMENT OF NEW CONCRETE
13. CONCRETE CONSTRUCTION WORK TO BE COORDINATED WITH THE PLANT SUPERINTENDENT.



#4 Rebar on 18" C-C each way. 3" clear on edges.



Note: Slump Wash Rack must be anchored to at least a 1'-6" concrete slab with $\frac{3}{4}$ " X 8" anchor bolts.



DHE INC. CONCRETE EQUIP
CALIFORNIA
TRACY 46 GANDY DANCER DR.

THIS DRAWING, ITS DESIGN, DETAIL AND INVENTION, ARE THE PROPERTY OF DHE INC. CONCRETE EQUIP. IT IS TO BE USED ONLY IN CONNECTION WITH THE PROJECT AND SHALL NOT BE COPIED IN ANY MANNER NOR DISCLOSED TO ANY OUTSIDE PARTY WITHOUT THE WRITTEN CONSENT OF THIS COMPANY. THEY SHALL BE USED EXCLUSIVELY FOR REFERENCE WORK ON CONTRACTS. OR PROPOSALS SUBMITTED BY INTERFERES, INC. AND SHALL BE RETURNED ON REQUEST. ALL RIGHTS RESERVED.

NOBLE SLUMP_RACK_CONCRETE_PAD GENERAL_LAYOUT		DRAWING NO. 000-000	REVISION #
DATE	DATE	DRAWING NO. 000-000	REVISION #
NO/REVISION	SCALE	DRAWN	CHECK
DATE	NS	SLH	CEC
NO/REVISION	SCALE	DRAWN	CHECK
DATE	NS	SLH	CEC