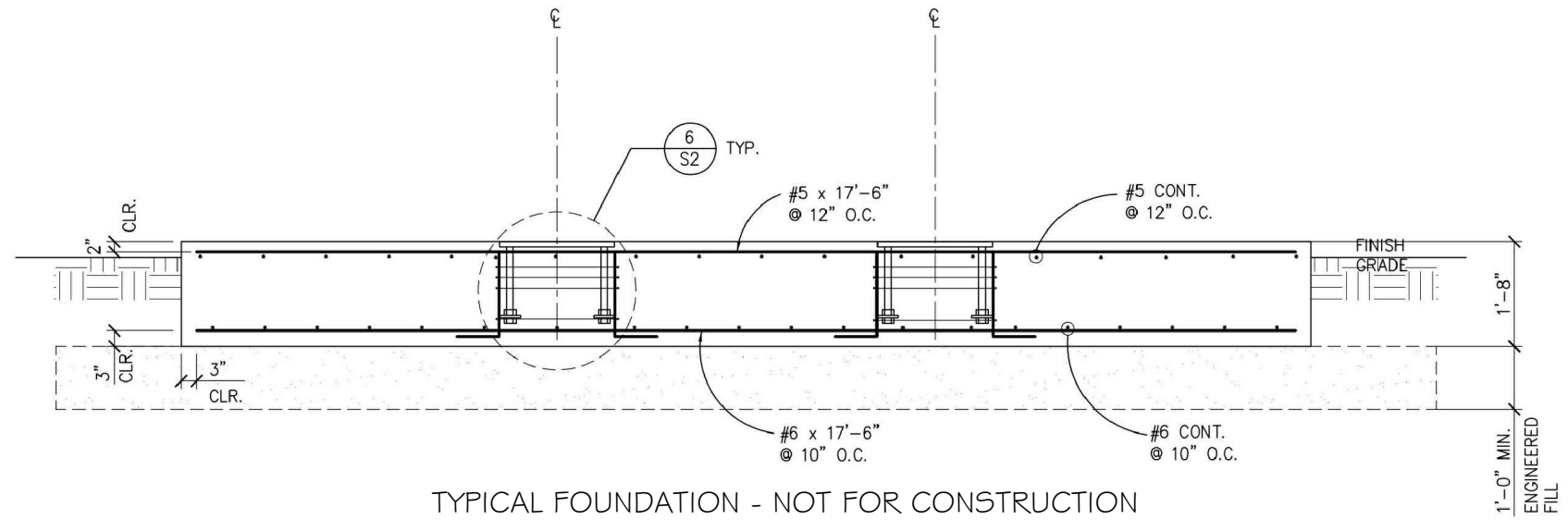
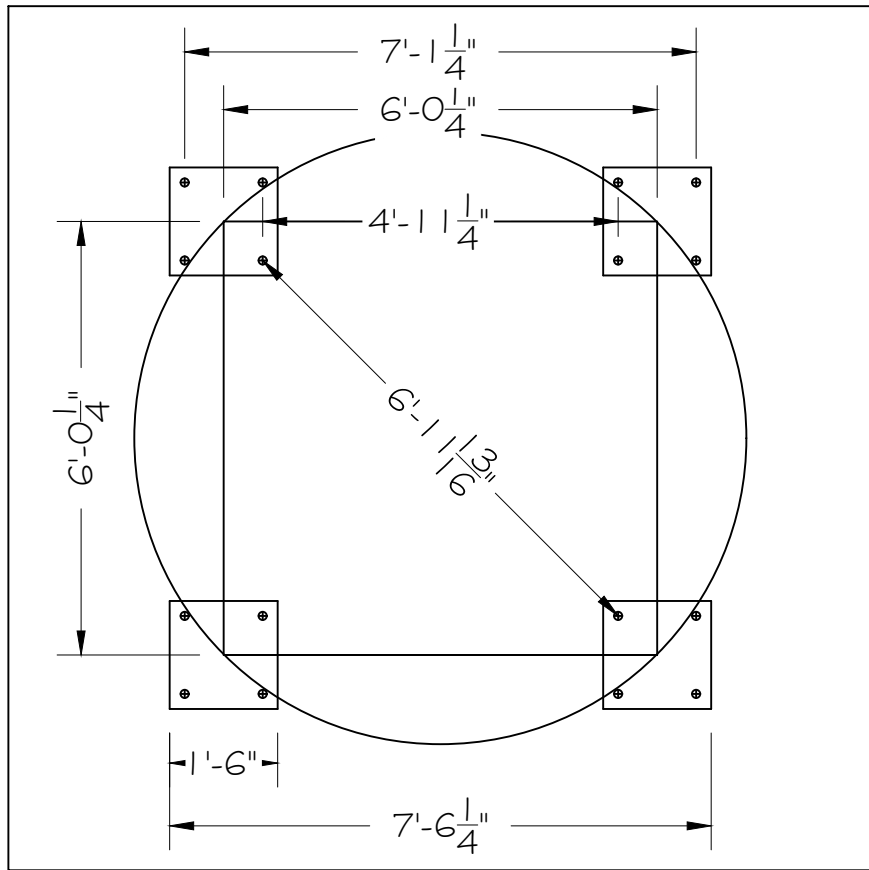


K - 1 7/8" MS BASE PLT.
QTY. 4

NOBLE F1 BASE PLATE LAYOUT DRAWING
CUSTOMER TO SUPPLY EMBED PLATES OR ANCHOR BOLTS
AS PER STRUCTURAL ENGINEER.



TYPICAL FOUNDATION - NOT FOR CONSTRUCTION

NOBLE_N370_PORTABLE_CEMENT_SILO			REVISION
N370_SILO_BASE_PLATE_LAYOUT			#
F1_BASE_PLATE_LAYOUT			
DATE	DRAWING NO.	REVISION	
09/01/18	000-000	000-000	
		SHEETXOFX	
NO REVISION	CHECK	SCALE	NS
	DH	SLH	