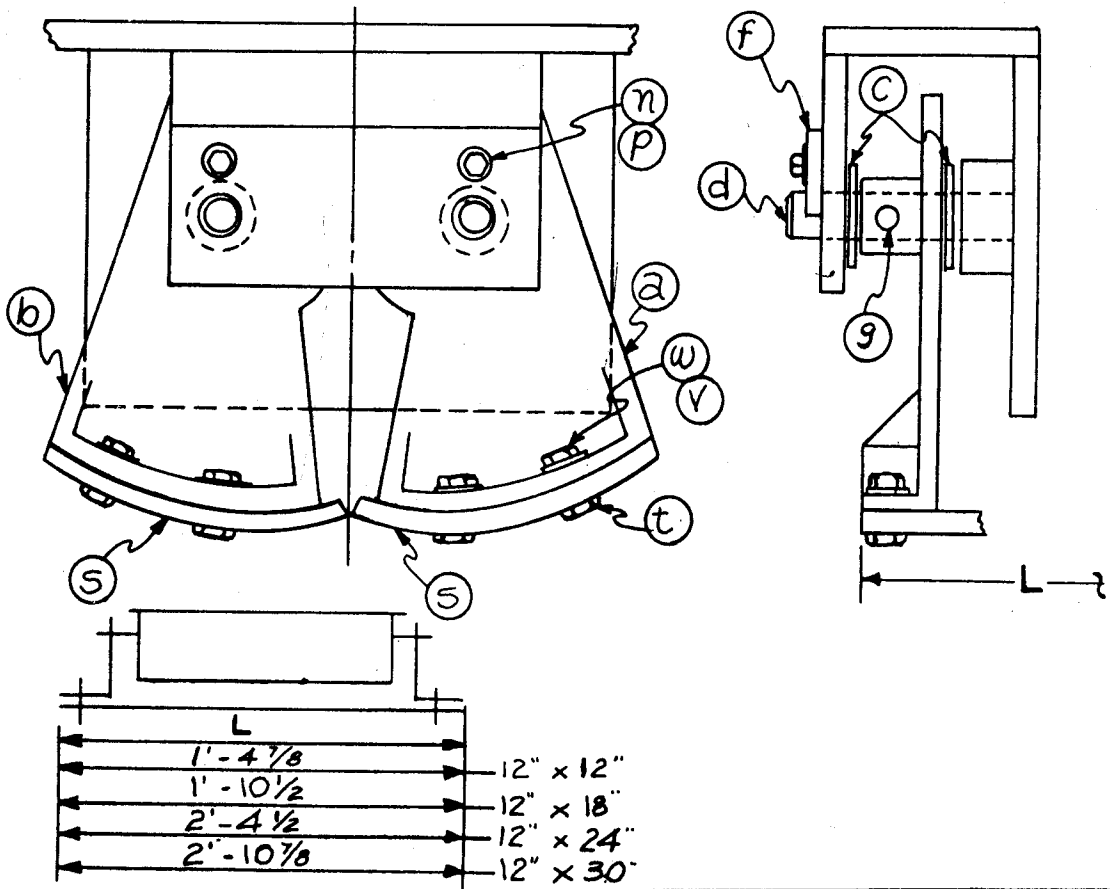




PARTS LIST
DOUBLE CLAMSHELL GATE



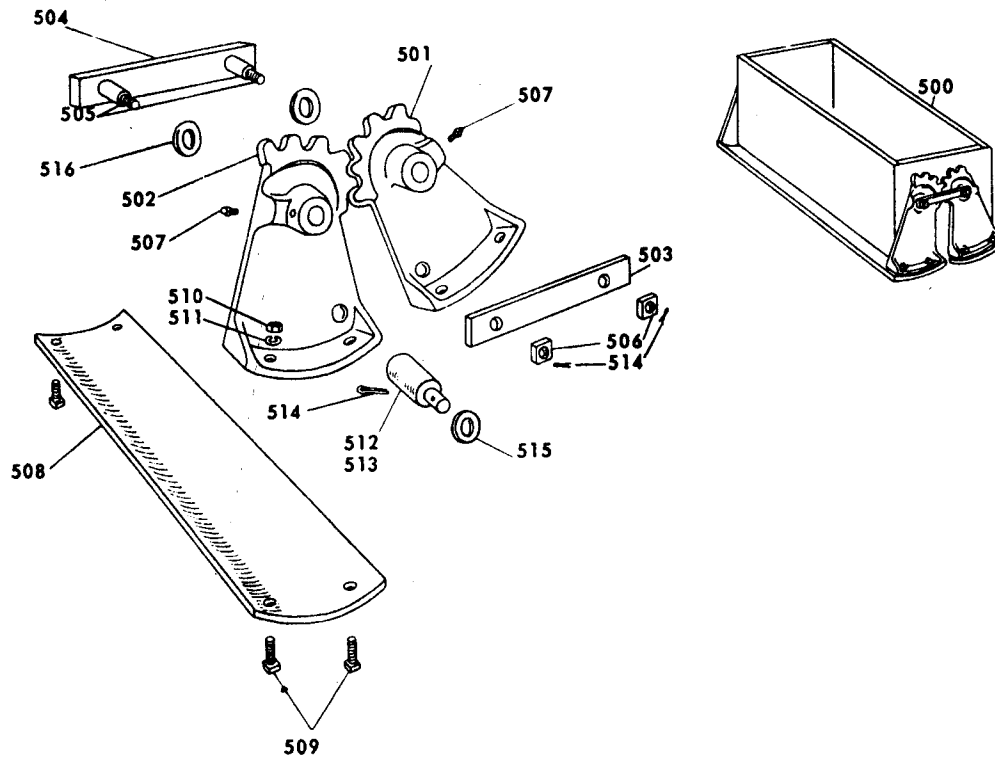
REF	PART NO.	QTY	DESCRIPTION
a	51016	2	Gear Segment R.H.
b	51017	2	Gear Segment L.H.
c		8	1 1/16" Dia. STD Flat Washer
d	51070	4	Gate Pin
f	51034	2	Keeper Bar
g	69001	4	Grease Fitting
n		4	3/8" x 5/8" Long Hex Head Cap Screw
p		4	3/8" Lock Washer
s		2	Gate Plates - See Note
t		8	1/2" Hex Head Nut
v		8	1/2" Lock Washer
w		8	1/2" x 1 1/2" Machine Bolt
			NOTE: When ordering part s, Check length "L" for Correct size gate plate:
	51-09-061	2	Gate Plate, 12"x 12" Gate
	51041	2	Gate Plate, 12"x 18" Gate
	51045	2	Gate Plate, 12"x 24" Gate
	51-09-065	2	Gate Plate, 12"x 30" Gate

NOTE: REFER TO INSTRUCTION SHEET BEFORE ORDERING PARTS 514017

**AGGREGATE (Threaded End)
BIN GATES** Pin)



PARTS LIST

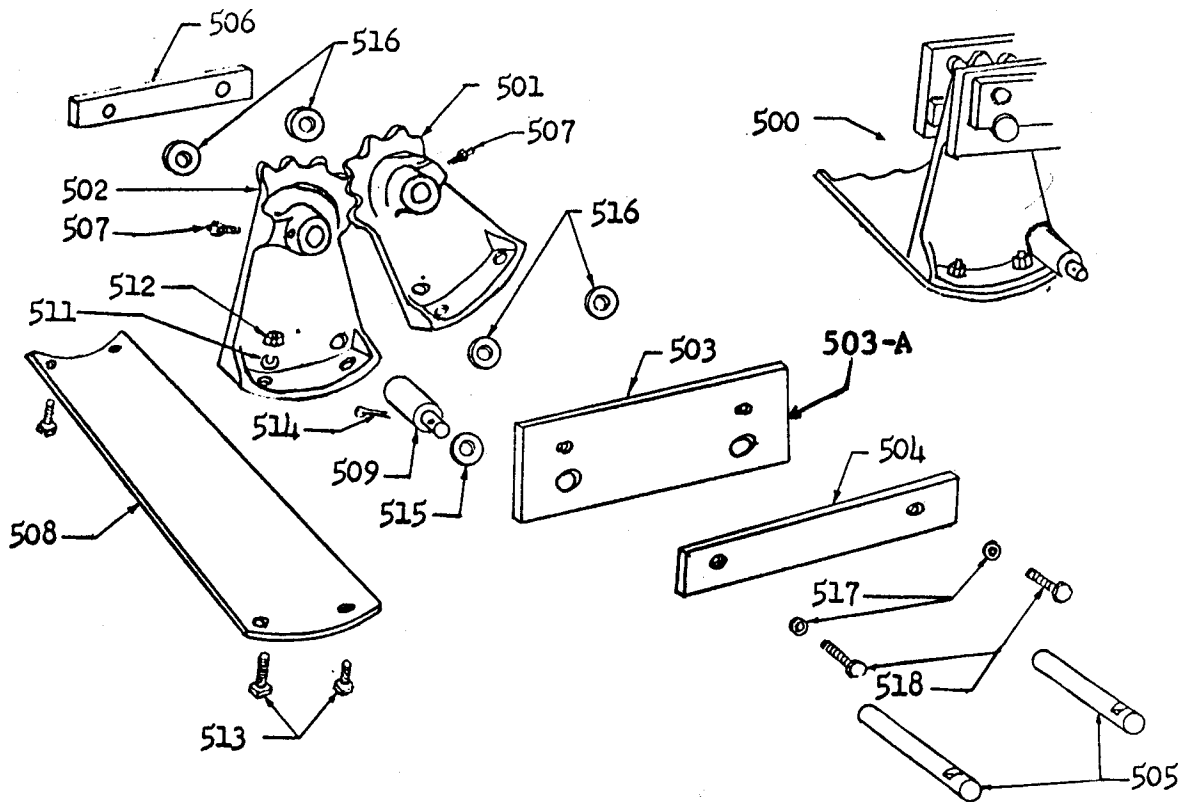


REF. NO.	PART NO.	NAME OF PART	SUGGESTED QTY. SPARE PARTS	NO. REQ.	UNIT PRICE
500		AGGREGATE BIN GATE ASSEMBLY 12" X 24" DOUBLE CLAMSHELL GATE			
501	51016	GATE GEAR SEGMENT, R.H.	2	2	
502	51017	GATE GEAR SEGMENT, L.H.	2	2	
503	51027	SPACER BAR		2	
504	51028	GATE BAR		2	
505	51069	GATE PIN - Threaded One End			
506		3/4" -10 HEX NUT		4	
507		GREASE FITTING		4	
508	51045	CLAMSHELL GATE PLATE		1	
509		1/2" -13 + 1 1/2" LG. FLAT HD. CAP SCREW		8	
510		1/2" -13 HEX NUT		8	
511		1/2" LOCKWASHER		8	
512	51067	GATE LEVER PIN X 4" LG.		3	
513	51068	GATE LEVER PIN X 4 1/2" LG.		1	
514		COTTER PIN		1	
515		3/4" CUT WASHER		5	
516		1" CUT WASHER			

• "NO. REQ." COLUMN SHOWS NUMBER OF UNITS REQUIRED FOR ONE GATE ASSEMBLY.



PARTS LIST
CLAMSHELL GATE
With Slotted Pin



REF. NO.	PART NO.	NAME OF PART	SUGGESTED QTY.	NO. REQ.	UNIT PRIC.
500		Aggregate Bin Gate Assembly 12" x 24" Double Clamshell Gate			
501	51016	Gate Gear Segment, R.H.		2	
502	51017	Gate Gear Segment, L.H.		2	
503	64054	Spacer Bar - Plate {for 9" Deep Gates}		2	
504	51034	Keeper Bar		2	
505	51070	Gate Pin 1" Dia. x 3 ³ / ₈ " Lg.		4	
506	51035	Gate Bar		2	
507	69001	Grease Fitting		4	
508	51045	Clamshell Gate Plate		2	
509	51071	Gate Lever Pin 1 ¹ / ₂ " Dia. x 5" Lg.		1	
511		1/2" Lockwasher		8	
512		1/2" Hex. Hd. Nut		8	
513		1/2" x 1 ¹ / ₂ " Lg. Flat Hd. Cap Screw		8	
514		Cotter Pin		1	
515		3/4" Cut Washer		1	
516		1" Cut Washer		8	
517		3/8" Lockwasher		4	
518		3/8" x 1 ¹ / ₂ " Lg. Hex. Hd. Cap Screw		4	
503-A	64052	Angle Spacer Bracket {for 12" Deep Gates}		2	

511001

NOTE: REFER TO INSTRUCTION SHEET BEFORE ORDERING PARTS.