



An Oshkosh Corporation Company

**SPECIFICATIONS FOR MODEL PJC-80 CARTRIDGE DUST CONTROL**

**MODEL CON-E-CO-PJC-80**

NUMBER OF CARTRIDGES	2
NOMINAL CARTRIDGE DIAMETER	12"
NOMINAL CARTRIDGE LENGTH	16"
TOTAL FILTRATION AREA	80.0 SQ. FT.
MIN. DESIGN EFFICIENCY OF DUST COLLECTOR	99.9%
AIR TO CLOTH RATIO	5.0 TO 1.0 (CEMENT)
CAPACITY FOR CEMENT	400 C.F.M.
DISCHARGE AREA	.20 SQ. FT.
DISCHARGE VELOCITY @400 C.F.M.	32.8 FT. / SEC.
DIRECTION OF AIR DISCHARGE	DOWN WARD
DISCHARGE SHAPE	13/16" X 36" SLOTS
NORMAL OPERATING DISCHARGE TEMP & PRESSURE	AMBIENT
OUTLET MOISTURE CONTENT	IDEALLY ZERO
CLEANING MECHANISM	PULSE JET
FREQUENCY OF CLEANING	VARIABLE

**CARTRIDGE SPECIFICATIONS**

CARTRIDGE DIAMETER	12" O.D.
CARTRIDGE LENGTH	16"
CONSTRUCTION	PLEATED
FIBER	SPUNBOND POLYESTER
WEIGHT	8 OZ / SQ. YD.
PERMEABILITY (.5" WATER)	24 CFM/SQ FT



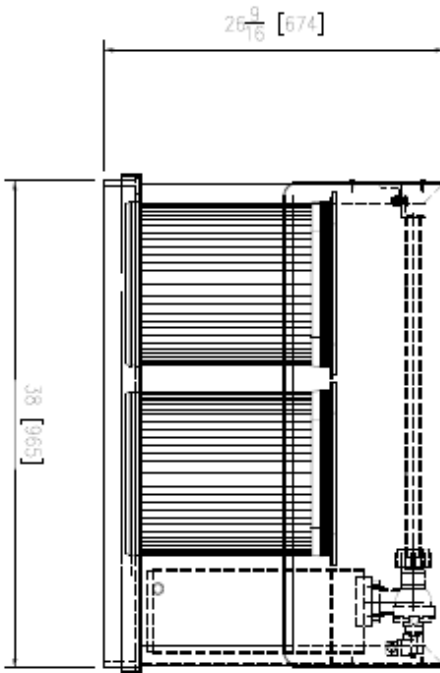
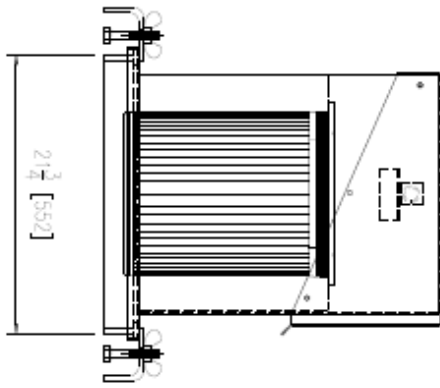
**SOLID PRODUCTS. SOLID PERFORMANCE.**

237 N. 13<sup>TH</sup> ST - PO Box 430 - Blair, NE 68008

Phone: 800-656-2651 Fax: 402-426-4181 Service/Parts Fax: (402)-533-9292

E-MAIL: parts@con-e-co.com WEBSITE: www.con-e-co.com

NET WT	PRICE	DATE	APPROV. NO.	REVISION	SCALE	TITLE	REV. DATE	DATE
					1" = 1'-0"	PJC-80 BATCHER VENT		
					7/30/2014	CON-E-CO		
						BLAIR, NE		
						CON-E-CO		
						237 N. 13 <sup>TH</sup> ST. - PO BOX 430 - BLAIR, NE 68008		
						PH: 402-426-2651 FAX: 402-426-4181		
						WWW.CON-E-CO.COM		



SOLID PRODUCTS. SOLID PERFORMANCE.

237 N. 13<sup>TH</sup> ST - PO Box 430 - Blair, NE 68008

Phone: 800-656-2651 Fax: 402-426-4181 Service/Parts Fax: (402)-533-9292

E-MAIL: parts@con-e-co.com WEBSITE: www.con-e-co.com