

REXCON PLANT PARTS CATALOG

Offering quality replacement parts for RexCon batch plants & mixers



Contact Information



Astec - RexCon Products
2841 Whiting Rd.
Burlington, WI 53105
Phone: 262-539-4050

For your convenience, we have a listing of departments with key contacts. Feel free to contact them at any time.

Parts Department – Inside Sales

For prompt service, please contact the parts general contact.

| Department | Person | Phone | Email |
|--|---------------|--------------|--------------------------------------|
| Parts General Contact | | 262-539-4550 | parts.burlington@astecindustries.com |
| Manager, Customer Operations (Parts) | Dan Sertich | 262-539-4482 | dsertich@astecindustries.com |
| Customer Operations Specialist (Parts) | Frank Beverly | 262-539-4486 | fbeverly@astecindustries.com |
| Customer Operations Specialist (Parts) | Luis Estrada | 262-539-4552 | laestrada@astecindustries.com |

Parts Department – Outside Sales (U.S.A.)

| Region | Person | Phone | Email |
|--------------------------------|------------------|--------------|--------------------------------|
| AL, MS, TN | Brennan Morrow | 423-208-5665 | bmorrow@astecindustries.com |
| GA, FL | Austin Watson | 423-305-2970 | awatson@astecindustries.com |
| NC, SC | Hoyt Grimes | 423-667-4281 | hgrimes@astecindustries.com |
| KY, WV, VA, MD, DE | Todd Smith | 423-298-6631 | tsmith@astecindustries.com |
| IN, MI | Larry Ruble | 423-305-4851 | lruble@astecindustries.com |
| OH, PA, NJ | Tom Ondo | 423-667-6010 | tondo@astecindustries.com |
| NY, CT, RI, MA, NH, VT, ME | Robbie Davenport | 423-240-9962 | rdavenport@astecindustries.com |
| TX | Paul Michaels | 423-240-6845 | plmichaels@astecindustries.com |
| AR, LA, OK | Jeff Wright | 423-680-0962 | jdwright@astecindustries.com |
| IL, KS, MO | Tim Bray | 423-385-5674 | tbray@astecindustries.com |
| IA, NE, WI, MN, SD, ND, UP | Jimmy Engen | 423-421-2648 | jengen@astecindustries.com |
| AK, WA, OR, ID, MT, WY, CO, UT | Kent Hood | 423-413-5238 | khood@astecindustries.com |
| CA, NV, HI, NM, AZ | Mike McClure | 423-667-6361 | mmclure@astecindustries.com |

Parts Department – Outside Sales (Canada)

| Region | Person | Phone | Email |
|----------------------------|----------------|--------------|------------------------------|
| All Provinces | Rob Garratt | 705-715-2444 | rgarratt@astecindustries.com |
| BC, AB, SK, MB, NT, NU, YT | Grant Davis | 403-354-1277 | gdavis@astecindustries.com |
| ON | Harpreet Singh | 647-982-0310 | hsingh@astecindustries.com |
| QC | Kevin McCaig | 514-754-3712 | kmccaig@astecindustries.com |
| NL, NB, NS, PE | Michael Smith | 905-655-8173 | msmith@astecindustries.com |

Field Service

| Title | Person | Phone | Email |
|-----------------|-------------|--------------|-----------------------------|
| Service Manager | Glen Carter | 262-806-2884 | gcarter@astecindustries.com |

Batch Control Support

Call 414-973-9266

How to Use This Catalog

The primary heading in the Table of Contents corresponds with the category description on the edge of each page. The secondary headings in the Table of Contents correspond with the horizontal headings on the parts page. Each secondary heading lists the page in the catalog where it can be found.

How to Order

This catalog contains the most frequently ordered parts for RexCon batch plants and mixers.

You have a choice of who to contact for any of the parts in this catalog. Parts may be ordered from either the inside sales team or the outside territory sales rep. See preceding page for contact information.

When ordering parts for your plant, the plant's model and serial number may be required. The serial number is located on the columns of the plant or name plate, or is engraved in the main control panel.

If you wish to place an order after hours, email us at parts.burlington@astecindustries.com and we will place the order as soon as possible.

CFI or OIR

When ordering parts, some are complicated with many options and variations or are no longer available. To identify these parts, an acronym has been used in the Part No. field. Two acronyms have been used and are identified as follows:

- CFI** Contact For Information
- OIR** Order Information Required)

Reference the example below for the location of the acronym:

EXAMPLE:

| Description | RexCon® Part No. |
|-------------|---------------------|
| Antenna | <i>CFI*</i> |

CFI

A **CFI** indicates additional specifications are required. Please contact your RexCon® Distributor for further details. When a **CFI** is referenced, a table with a specific definition will follow.

EXAMPLE:

| CFI - Contact for Information |
|---|
| Specifications required when ordering complete units. Please contact your RexCon® Distributor for further details. |

OIR

An **OIR** indicates specific information in addition to the Part No. is required when ordering. When an **OIR** is referenced, a table with the specific information is identified.

EXAMPLE:

| OIR - Ordering Information Required |
|--|
| When ordering item "A", the discharge opening size, 24" or 30", must be specified. |

Pre-Cut Lengths

3/16" Wall, Vulcanized Seams



| Description | RexCon® Part No. |
|---------------------------|------------------|
| 5.75" Diameter x 24" Long | 102-02347-50 |
| 6.5" Diameter x 12" Long | 102-02347-55 |
| 7" Diameter x 24" Long | 102-02347-46 |
| 8.25" Diameter x 8" Long | 102-02347-37 |
| 8.25" Diameter x 12" Long | 102-02347-39 |
| 8.25" Diameter x 18" Long | 102-02347-53 |
| 8.25" Diameter x 24" Long | 102-02347-36 |
| 8.25" Diameter x 28" Long | 102-02347-17 |
| 8.25" Diameter x 30" Long | 102-02347-01 |
| 8.25" Diameter x 36" Long | 102-02347-02 |
| 8.25" Diameter x 40" Long | 102-02347-21 |
| 8.25" Diameter x 48" Long | 102-02347-03 |
| 8.25" Diameter x 53" Long | 102-02347-38 |
| 8.25" Diameter x 60" Long | 102-02347-26 |
| 8.25" Diameter x 72" Long | 102-02347-47 |
| 9.25" Diameter x 24" Long | 102-02347-58 |
| 12" Diameter x 12" Long | 102-02347-54 |
| 12" Diameter x 14" Long | 102-02347-04 |
| 12" Diameter x 40" Long | 102-02347-20 |
| 12" Diameter x 48" Long | 102-02347-45 |
| 12" Diameter x 72" Long | 102-02347-43 |
| 18" Diameter x 24" Long | 102-02347-05 |
| 18" Diameter x 36" Long | 102-02347-25 |
| 18" Diameter x 42" Long | 102-02347-23 |
| 20" Diameter x 17" Long | 102-02347-06 |
| 20" Diameter x 18" Long | 102-02347-52 |
| 20" Diameter x 24" Long | 102-02347-40 |
| 20" Diameter x 28" Long | 102-02347-07 |
| 20" Diameter x 30" Long | 102-02347-11 |
| 20" Diameter x 32" Long | 102-02347-19 |
| 20" Diameter x 34" Long | 102-02347-30 |
| 20" Diameter x 36" Long | 102-02347-12 |
| 20" Diameter x 40" Long | 102-02347-28 |
| 20" Diameter x 53" Long | 102-02347-41 |
| 22" Diameter x 9" Long | 102-02347-48 |
| 22" Diameter x 15" Long | 102-02347-08 |
| 22" Diameter x 18" Long | 102-02347-09 |
| 22" Diameter x 22" Long | 102-02347-18 |
| 22" Diameter x 24" Long | 102-02347-10 |
| 22" Diameter x 28" Long | 102-02347-16 |
| 22" Diameter x 30" Long | 102-02347-13 |
| 22" Diameter x 32" Long | 102-02347-29 |
| 22" Diameter x 34" Long | 102-02347-27 |

Gum Rubber

BOOTS

Pre-Cut Lengths, continued

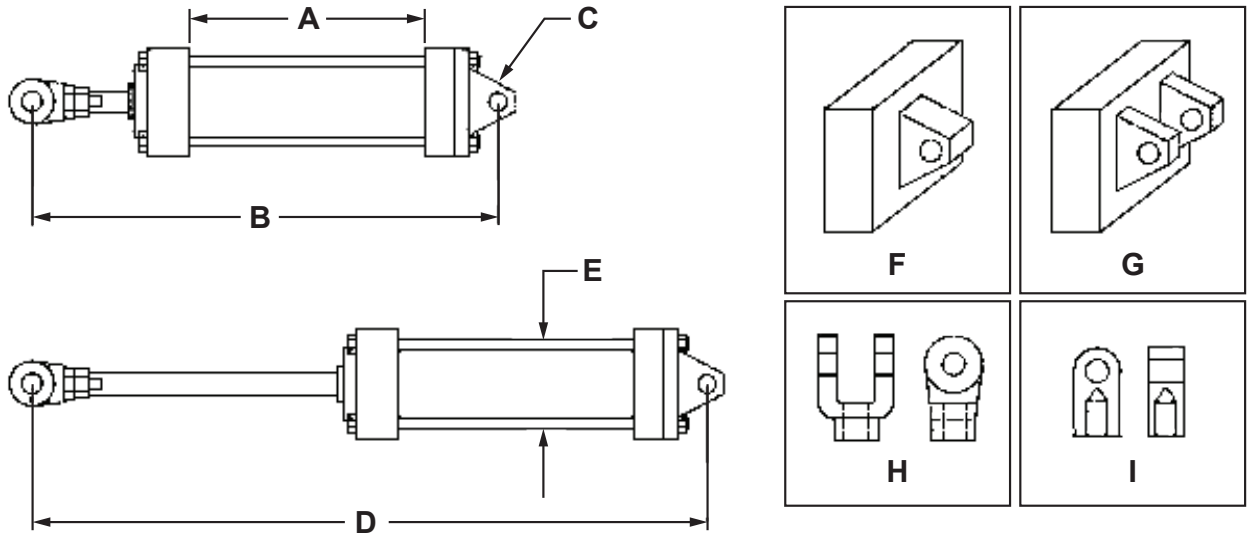
| Description | RexCon® Part No. |
|-------------------------|------------------|
| 22" Diameter x 36" Long | 102-02347-15 |
| 22" Diameter x 45" Long | 102-02347-44 |
| 22" Diameter x 60" Long | 102-02347-32 |
| 22" Diameter x 66" Long | 102-02347-31 |
| 22" Diameter x 72" Long | 102-02347-56 |
| 24" Diameter x 9" Long | 102-02347-49 |
| 24" Diameter x 18" Long | 102-02347-51 |
| 24" Diameter x 20" Long | 102-02347-34 |
| 24" Diameter x 24" Long | 102-02347-42 |
| 24" Diameter x 30" Long | 102-02347-22 |
| 24" Diameter x 36" Long | 102-02347-35 |
| 24" Diameter x 42" Long | 102-02347-57 |
| 24" Diameter x 50" Long | 102-02347-33 |
| 28" Diameter x 40" Long | 102-02347-24 |
| 36" Diameter x 24" Long | 102-02347-14 |

Bulk Sizes

| Description | RexCon® Part No. |
|-----------------------------|------------------|
| Rubber tube, 8" (per foot) | 102-02347-408 |
| Rubber tube, 10" (per foot) | 102-02347-410 |
| Rubber tube, 12" (per foot) | 102-02347-412 |
| Rubber tube, 20" (per foot) | 102-02347-420 |
| Rubber tube, 22" (per foot) | 102-02347-422 |
| Rubber tube, 24" (per foot) | 102-02347-424 |
| Rubber tube, 26" (per foot) | 102-02347-426 |

Custom Cylinder Information

Note: This Reference Sheet can be used to order replacement cylinders not shown in this catalog. Please provide the following information.



Ordering Dimensions

| ID | Description |
|----|--|
| A | Cylinder Body Length |
| B | Cylinder Length (Retracted) -- Mounting Pin Center-to-Center |
| C | Mounting Pin Diameter (Front & Rear) |
| D | Cylinder Length (Extended) -- Mounting Pin Center-to-Center |
| E | Approximate Cylinder Diameter |

Mounting Hardware

| ID | Description |
|----|--------------------------------------|
| F | Mounting Bracket Style (Single Tang) |
| G | Mounting Bracket Style (Double Tang) |
| H | Rod Clevis Style (Rod Clevis) |
| I | Rod Clevis Style (Rod Eye) |

Cylinders

PNEUMATICS

Air Cylinders



| Size | RexCon® Part No. | Repair Kit Part No. |
|------------|---------------------------|---------------------|
| 2" x 4" | 298-03001-01 | 298-00119-01 |
| 2.5" x 5" | 298-03016-01 | 298-00120-01 |
| 2.5" x 6" | 212-03016-01 | 298-00120-01 |
| 2.5" x 8" | 298-03004-01 | 298-00120-01 |
| 2.5" x 9" | 212-03023-01 Tel. Boot | 298-00120-01 |
| 2.5" x 10" | 298-03010-01 | 298-00120-01 |
| 2.5" x 12" | 298-03017-01 | 298-00120-01 |
| 2.5" x 18" | 212-03009-01 Tel. Boot | 298-00120-01 |
| 2.5" x 22" | 212-03031-01 | 298-00120-01 |
| 2.5" x 24" | 212-03003-01 Tel. Boot | 298-00120-01 |
| 3" x 10" | 298-03005-01 | 298-00124-01 |
| 3" x 12" | 298-03019-01 | 298-00124-01 |
| 3" x 18" | 298-03018-01 | 298-00124-01 |
| 4" x 6" | 298-03007-01 | 298-00121-01 |
| 4" x 8" | 212-03005-01 | 298-00121-01 |
| 4" x 9" | 212-03042-01 | 298-00121-01 |
| 4" x 10" | 298-03008-01 | 298-00121-01 |
| 4" x 12" | 298-03015-01 | 298-00121-01 |
| 4" x 15" | 298-03009-01 | 298-00121-01 |
| 4" x 18" | 298-03014-01 | 298-00121-01 |

Hydraulic Cylinders



| Size | RexCon® Part No. | Seal Kit |
|--------------|------------------|---|
| 7.5" x 19.5" | 102-08171-02 | Pre-1987: P298-00685-00 1987 & later: 298-00709-00 |
| 6.5" x 19.5" | 112-05124-02 | 112-05124-10 |
| 5" x 40" | 212-03134-53 | 212-03135-53 |

| Description | Part No. |
|-------------------|--------------|
| Spherical Bearing | 298-06800-08 |
| Snap Ring | 298-07518-34 |

Pins

Note: Cylinder Mounting Pin is for **Tilt Mixers only**.



Cylinder Mounting Pin

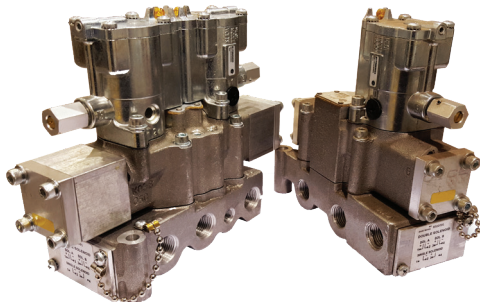


Tilt Frame Lock Pin

| Description | RexCon® Part No. |
|-------------------------------------|------------------|
| Cylinder Mounting Pin, 15" (Bottom) | 502-03882-80 |
| Cylinder Mounting Pin, 12" (Upper) | 502-03882-81 |
| Tilt Frame Lock Pin Assembly | 644-15134-03 |
| Tilt Frame Lock Pin | 524-14646-80 |

Air Treatment

Air Valves



Parker Double Solenoid Valve

Parker Single Solenoid Valve



SMC Double Solenoid Valve

SMC Single Solenoid Valve

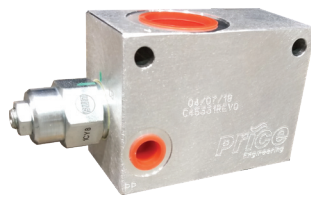
| Description | RexCon® Part No. |
|----------------------------------|------------------|
| Parker Valves | |
| 3/8" | |
| 3/8" Single | 212-02147-01 |
| 3/8" Single Solenoid Rebuild Kit | 212-02149-01 |
| 3/8" Double | 212-02146-01 |
| 3/8" Double Solenoid Rebuild Kit | 212-02148-01 |
| Solenoid Coil | 212-02095-01 |
| 1/2" | |
| 1/2" Single | 212-02108-01P |
| 1/2" Single Solenoid Rebuild Kit | 212-02114-01N |
| 1/2" Double | 212-02109-01P |
| 1/2" Double Solenoid Rebuild Kit | 212-02115-01N |
| Solenoid Coil | 298-00134-00 |
| SMC Valves | |
| 1/2" Single | 212-02108-01 |
| 1/2" Double | 212-02109-02 |
| Components | |
| 3/8" Flow Control Muffler | 212-02145-01 |
| 1/2" Flow Control Muffler | 212-02110-01 |
| 1/4" Poppet Valve | 212-02131-01 |
| 3/4" Poppet Valve | 212-02025-01 |

Air & Hydraulic Valves

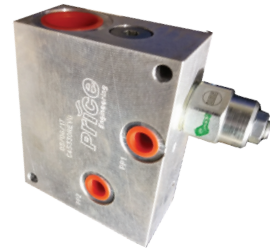
| Description | RexCon® Part No. |
|--|------------------|
| Holding Valve: Old Style, Low Pressure | 212-00233-53 |
| Counterbalance Valve, Upper: New Style | 212-11095-53 |
| Holding Valve, Lower: New Style | 212-11086-53 |
| Pilot Valve, 3/8", 3-Position, 4-Way | 212-02132-01 |
| 1/2" Lubricator | 212-02139-01 |
| 1/2" In-Line Air Filter | 212-02029-01 |
| 1/2" Regulator with Gauge | 212-02030-01 |



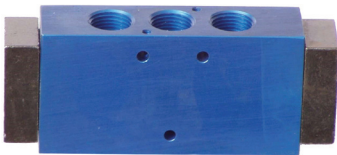
Holding Valve: Old Style, Low Pressure



Counterbalance Valve, Upper: New Style



Holding Valve, Lower: New Style



Pilot Valve



Lubricator



In-Line Air Filter



Regulator with Gauge

Replacement Filters

DUST COLLECTION

Bags (for RA and BP units)



| Description | RexCon® Part No. |
|---|-------------------|
| 6" x 5' Bag for BP | B0007 |
| 6" x 10' Bag for BP (120" long) | B0118 (B0006)* |
| 6" x 12' Bag for BP (144" long) (BP1800 & 2450) | B0012 |
| Cage with Venturi for 6" x 5' Bags for BP | B0008 |
| Cage with Venturi for 6" x 10' Bags for BP | B0005 |
| Cage with Venturi for 6" x 12' Bags for BP | B0013 |
| 8" x 114" Bag for RA | B0117 (B0001)* |
| 8" x 69" Bag for Old Style RA Units | B0000 |
| 8" x 138" Bag for RA-170 & RA-340 | B0119 (B0011)* |
| 4" x 78" Bag - Silo Shaker SK250 | B0014 |

*Part numbers in parentheses, such as (B0001), are legacy part numbers.

Cartridges (for CP units)



| Description | RexCon® Part No. |
|---|-------------------|
| 12-3/4" x 27" Cartridge (CP-100) | CD002 |
| 8" x 19" Cartridge (CP-35, CP-70, CP-88) | CD121 (CD028)* |
| 8" x 39" Cartridge | CD122 (CD029)* |
| 8" x 54" Cartridge | CD123 (CD031)* |
| 8" x 78" Cartridge | CD124 (CD033)* |
| Rubber Seal (one is provided with each new cartridge; order if you need extras) | CD035 |
| Felt Plug (used in the LPR series to close an unused cartridge hole) | CD014 |
| Cartridge Removal Tool | CD100 |

*Part numbers in parentheses, such as (CD028), are legacy part numbers.

Return Blowers & Parts

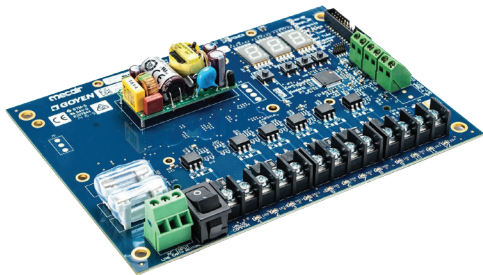
| Description | RexCon® Part No. |
|--|------------------|
| Return Blower, Filter, and 1 Qt of Oil | RT020 Kit |
| 2" Return Blower Filter with Housing | RT019 |

Couplings



| Description | RexCon® Part No. |
|---------------------|------------------|
| 3/4" 6JX Coupling | CP004 |
| 1-3/8" 6JX Coupling | CP001 |
| Spider 6JE Coupling | CP003 |

Electrical Timers



4-12 Pole Digital Timer Board - Goyen

| Description | RexCon® Part No. |
|---|------------------|
| 360-120-1 - Second 8 Pin | ET000 |
| 360-120-1 - Minute 8 Pin | ET001 |
| 360-120-1 - Second | ET002 |
| TM 261S-120 - 2 Stage Alternator 8 Pin | ET003 |
| 120V Relay - 8501 KPIZV | ET004 |
| 368-120-1 - Second (Double Timer) 8 Pin | ET006 |
| Goyen 4 Pole Time Board 12V | ET010 |
| 361-120-1 Minute Timer | ET011 |
| 4-12 Pole Digital Timer Board - Goyen (for Central) | ET077 |
| E/T Socket 8 Pin | ET012 |

Butterfly Valves & Parts



| Description | RexCon® Part No. |
|-----------------------------------|------------------|
| Bray 6" Butterfly Valve | BF004 |
| Bray 8" Butterfly Valve | BF001 |
| Bray 6" Butterfly Valve Actuator | BF007 |
| Bray 8" Butterfly Valve Actuator | BF003 |
| Bray 6" Butterfly Adapter | BF002 |
| Bray Manual Lever Butterfly Valve | BF008 |
| WAM 6" Butterfly Valve | BF005 |
| WAM 8" Butterfly Valve | BF006 |
| WAM Butterfly Valve Actuator | BF009 |



1" Threaded Solenoid Valve



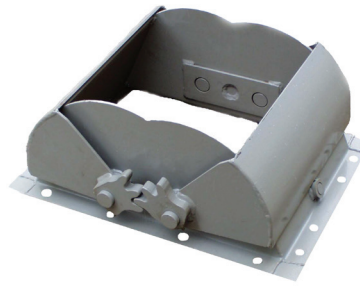
1/4" Solenoid Valve with 6' Cable and Steel Cord Grip



Turbo 1-1/2" Diaphragm Repair Kit

| Description | RexCon® Part No. |
|--|------------------|
| 3/4" Solenoid Valve (Compression) | S0026 |
| 3/4" Solenoid Valve to Convert Asco to Turbo | S0026-N |
| 1" Solenoid Valve (this solenoid was also used on LPR units until July 2007) | S0002 |
| 1" Immersion Solenoid Valve for CP-305TT units | S0052 |
| 1-1/2" Solenoid Valve | S0010 |
| 1" Threaded Solenoid Valve (used on LPR units from July 2007 to current) | S0048 |
| 3/4" Double Bulkhead (MID) | S0012 |
| 1" Double Bulkhead (MID) | S0014 |
| 1-1/2" Double Bulkhead (MID) | S0025 |
| 3/4" Threaded Solenoid Valve for CP-35, CP-70, CP-88 | S0008 |
| 1/4" Solenoid Valve with 6' Cable and Steel Cord Grip | S0045 |
| 1/4" Solenoid Coil with Cord and Cable | S0046 |
| Inching Solenoid Valve | S0080 |
| Pole Assembly for 3/4", 1", and 1-1/2" Solenoids | S0032 |
| Coil for 3/4", 1", and 1-1/2" Solenoids | S0033 |
| Turbo 3/4" and 1" Diaphragm Repair Kit | S0030 |
| Turbo 1-1/2" Diaphragm Repair Kit | S0031 |
| 3' Din Cord - E/W Solenoid Connector | EW015 |
| 6' Din Cord - E/W Solenoid Connector | EW016 |
| Relief Valve for air/pulse tanks on CP units | VA016 |

Aggregate Bin Clamshell Gates



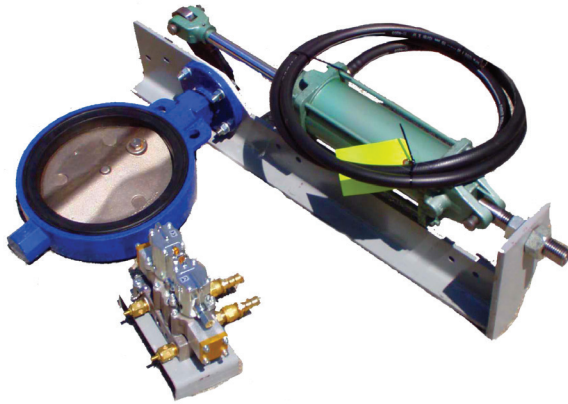
| Top Opening to Flange | Sides | RexCon® Body Part No. | RexCon® Leaf & Segment Part No. | RexCon® Assembly Part No. |
|-----------------------|----------|-----------------------|---------------------------------|---------------------------|
| Tapered | | | | |
| 24" x 18" x 16" | Tapered | 512-05623-80 | 512-05624-80 | 612-04417-02 |
| 24" x 16" x 16" | Tapered | 512-05623-81 | 512-05624-81 | 612-04417-03 |
| 24" x 24" x 16" | Tapered | 512-05623-84 | 512-05624-83 | 612-04417-01 |
| Straight | | | | |
| 18" x 18" | Straight | 512-04296-80 | 512-05624-80 | 612-04621-01 |
| 16" x 16" | Straight | 512-05623-82 | 512-05624-81 | 612-04417-04 |
| 15" x 15" | Straight | 512-10134-80 | 512-05624-84 | 612-01155-01 |
| 14" x 14" | Straight | 512-05623-83 | 512-05624-82 | 612-04417-05 |

Other sizes available but not listed. Please call the RexCon Parts Department for more information.

Gate Accessories

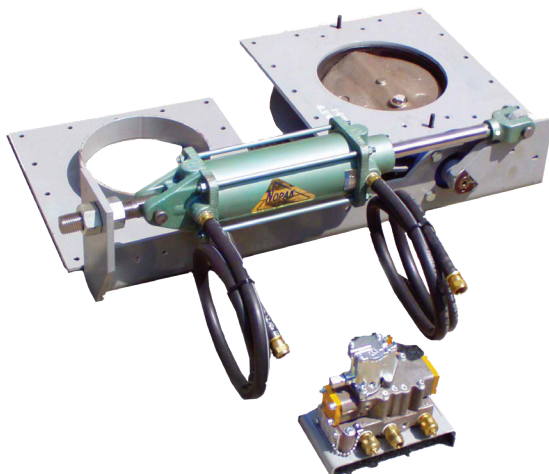
| Description | RexCon® Part No. |
|-----------------------------|------------------|
| Gate Pivot Pin | 112-02744-01 |
| Roll Pin | 298-06007-34 |
| Clevis Pin | 112-01732-02 |
| Gear Segment | 112-04120-01 |
| 4" Cylinder Anchor | 112-01486-01 |
| 4" Cylinder Anchor Stud | 102-00161-01 |
| 4" Cylinder Anchor Stud Nut | 398-11000-32 |
| 3" Cylinder Anchor | 102-00033-01 |
| 3" Cylinder Anchor Stud | 102-00156-01 |
| 3" Cylinder Anchor Stud Nut | 398-11000-08 |

Assemblies



| Description | RexCon® Part No. |
|--|------------------|
| 10" Gate, 1/2" Single Solenoid Assembly | 602-20113-01 |
| 10" Gate, 1/2" Double Solenoid Assembly | 602-20113-03 |
| 10" RH Cylinder Arm | 512-04640-80 |
| 10" LH Cylinder Arm | 512-04640-81 |
| 6" RH Cylinder Arm | 512-01937-80 |
| 3" RH Cylinder Arm | 512-01932-80 |

Conversion Kits



| Description | RexCon® Part No. |
|--|------------------|
| 10" Gate, 1/2" Single Solenoid Conversion Kit with Adapter Plates | 702-04303-01 |
| 10" Gate, 1/2" Double Solenoid Conversion Kit with Adapter Plates | 702-04305-01 |

Crane® Center Line



| Size | RexCon® Butterfly Valve Part No. | RexCon® Air Cylinder Part No. | RexCon® Replacement Seat Part No. |
|------|--|-------------------------------------|---|
| 10" | 112-04355-01 | 212-03005-01 | 298-00201-00 |
| 8" | 212-14063-86 | — | — |
| 6" | 212-14030-86 | 212-03016-01 | 298-00180-00 |
| 5" | 212-14064-86 | — | — |
| 4" | 212-14032-86 | — | 298-00202-00 |
| 3" | 212-14028-86 | 212-03016-01 | 298-00179-00 |

Keystone®

| Size | RexCon® Butterfly Valve Part No. | RexCon® Valve with Actuator Part No. | RexCon® Actuator Only Part No. | RexCon® Replacement Seat Part No. |
|------|-------------------------------------|---|-----------------------------------|--------------------------------------|
| 12" | 212-00053-98 | — | — | — |
| 10" | 102-12677-01 | 212-01101-98 | B2H-38-8-11 | 298-00855-00 |
| 6" | B2H-38-8-10 | 212-00054-98 | B2H-38-8-11 | B2H-38-8-13 |
| 3" | 102-31770-10 | 102-31770-01 | 102-3177-12 | 102-31770-11 |

Bray®



| Size | RexCon® Valve with Actuator Part No. |
|------|---|
| 10" | 212-01101-98B |
| 6" | 212-00054-98B |
| 3" | 102-31770-01B |

| Description | RexCon® Part No. |
|--------------------------------------|---------------------|
| Solenoid for 3", 6", 10" Bray Valves | 212-01109-98-02 |

Bin Level Indicators

| Description | RexCon® Part No. |
|----------------------------------|------------------|
| Bin Level Indicator, Paddle Type | 212-02168-56 |
| Bin Level Indicator, Banana Type | 614-13132-04 |
| Bin Level Indicator, Tilt Type | 212-02096-56 |



Bin Level Indicator, Paddle Type



Bin Level Indicator, Banana Type



Bin Level Indicator, Tilt Type

Vibrators

| Description | RexCon® Part No. |
|---------------------------------|------------------|
| Cement Vibrator with Muffler | 212-02138-01 |
| Aggregate Vibrator with Muffler | 212-03047-01 |



Cement Vibrator with Muffler



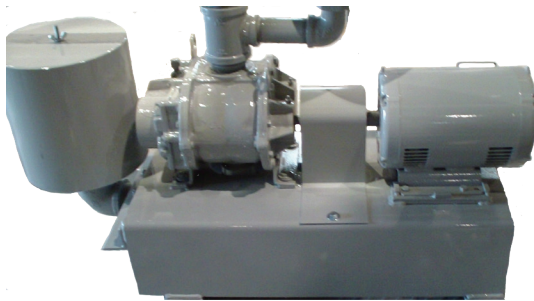
Aggregate Vibrator with Muffler

Aeration Components



| Description | RexCon® Part No. |
|--|------------------|
| Bin Flo Pad Kit (includes the five items listed below) | 612-02610-06 |
| Bin Flo Pad | 298-02016-01 |
| Adapter Clamp | 112-08128-01 |
| 3/16" Gasket | 112-08128-03 |
| 1/16" Gasket | 112-08128-04 |
| Final Clamp | 112-08128-02 |

Blowers & Valves



Standard Blower Assembly

| Description | RexCon® Part No. |
|-------------------------------------|------------------|
| Standard Blower Assembly | 602-02140-04 |
| Motor | 212-00068-20 |
| Coupler | 102-11639-01 |
| Air Blower | 298-01009-01 |
| Relief Valve | 298-00185-00 |
| Filter | 298-00149-00 |
| Regenerative Blower Assembly | 602-02140-08 |
| Filter | 602-02140-07-03 |
| Breaker | 20-05046 |
| Contactora | 20-18231 |
| Solenoid Valve | 98-02106-01 |
| Coil Only | 298-15077-17 |
| 1/8" Needle Valve | 212-02016-01 |



Regenerative Blower Assembly

Idlers

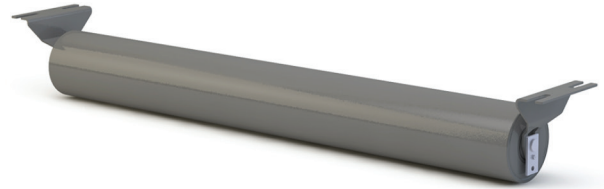
Troughing & Return Idlers

20°, 30°, and 45° are available in various sizes of Rollers, but not shown.

| Description | RexCon® Part No. |
|----------------------|------------------|
| 45° Troughing Roller | 102-11589-03 |
| 35° Troughing Roller | 114-12103-02 |
| 20° Troughing Roller | 102-11589-01 |
| 5" Return Roller | 102-11589-11 |
| 4" Return Roller | 102-11032-01 |



Troughing Roller



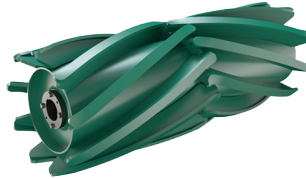
Return Roller

Pulleys

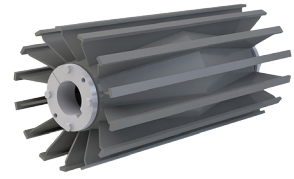
We have many types available. Please call 262-539-4550 to discuss your specific needs.



Lagged Head Pulley



Herringbone Wing Pulley



Winged Tail Pulley

Conveyor Belt Wipers

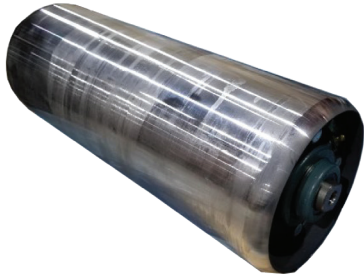
New Spring Loaded Wipers

| Description | RexCon® Part No. |
|---------------------|------------------|
| Spring Loaded Wiper | 212-03140-14 |



AGGREGATE CONVEYORS

Conveyor Accessories



Hold Down Roller



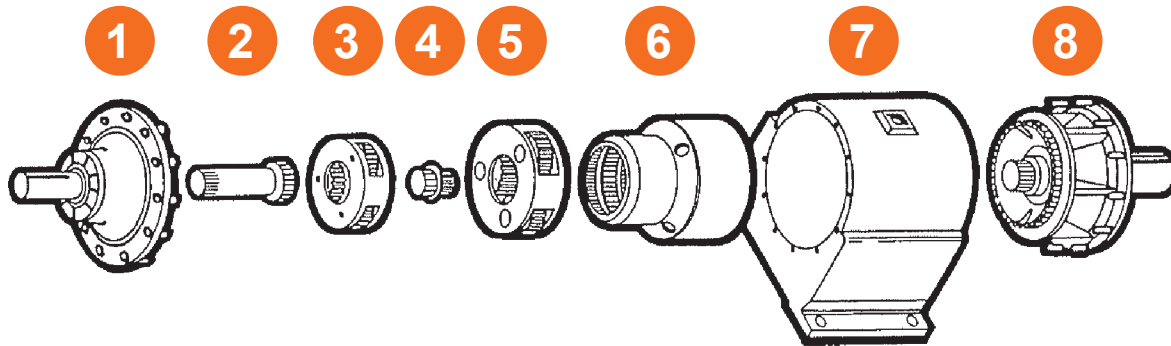
48" Belt Blade Replacement

| Description | RexCon® Part No. |
|----------------------------|------------------|
| Hold Down Roller | 612-02630-01 |
| Hold Down Roller Bracket | 512-04311-80 |
| 48" Pole Support | 212-03140-14-01 |
| Mounting Plate Kit (2) | 212-03140-14-02 |
| Torque Arm Kit | 212-03140-14-03 |
| Pivot Shaft Bracket Kit | 212-03140-14-04 |
| Pivot Block Kit | 212-03140-14-05 |
| Pivot Rod Kit | 212-03140-14-06 |
| Bushing Kit Purple (2) | 212-03140-14-07 |
| Tension Spring Purple | 212-03140-14-08 |
| Pole Lock | 212-03140-14-09 |
| Blade Pin | 212-03140-14-10 |
| 48" Belt Blade Replacement | 212-03140-14-11 |

Mixer Drive Assemblies

| Drum Size (YD) | Motor HP | Blade Style | Side | Assembly Part No. | Motor Part No. | Reducer Part No. | 20T Pinion Part No. | QD Bushing Part No. | Omega Coupling Part No. |
|----------------|----------|-------------|------|-------------------|----------------|------------------|---------------------|---------------------|-------------------------|
| 12L | 125 | Spiral | F1 | 612-05352-01 | 212-00253-20 | 212-04584-91 | 412-01520-02 | 212-08144-91 | 112-08418-04 |
| 12L | 125 | Spiral | F2 | 612-05352-02 | 212-00254-20 | 212-04584-91 | 412-01520-02 | 212-08144-91 | 112-08418-04 |
| 12S | 125 | Extended | F1 | 612-05352-01 | 212-00253-20 | 212-04584-91 | 412-01520-02 | 212-08144-91 | 112-08418-04 |
| 12S | 125 | Extended | F2 | 612-05352-02 | 212-00254-20 | 212-04584-91 | 412-01520-02 | 212-08144-91 | 112-08418-04 |
| 12 | 100 | Spiral | F1 | 612-05352-04 | 112-08308-10 | 212-04580-91 | 412-01520-02 | 212-08144-91 | 112-08418-04 |
| 12 | 100 | Spiral | F2 | 612-05352-03 | 112-08308-09 | 212-04580-91 | 412-01520-02 | 212-08144-91 | 112-08418-04 |
| 12 | 100 | Standard | F1 | 612-05352-04 | 112-08308-10 | 212-04580-91 | 412-01520-02 | 212-08144-91 | 112-08418-04 |
| 12 | 100 | Standard | F2 | 612-05352-03 | 112-08308-09 | 212-04580-91 | 412-01520-02 | 212-08144-91 | 112-08418-04 |
| 12 | 60 | Standard | F1 | 612-05352-06 | 112-08308-08 | 212-04579-91 | 412-01520-02 | 212-08140-91 | 112-08418-01 |
| 12 | 60 | Standard | F2 | 612-05352-05 | 112-08308-07 | 212-04579-91 | 412-01520-02 | 212-08140-91 | 112-08418-01 |
| 10 | 60 | Standard | F1 | 612-05352-06 | 112-08308-08 | 212-04579-91 | 412-01520-02 | 212-08140-91 | 112-08418-01 |
| 10 | 60 | Standard | F2 | 612-05352-05 | 112-08308-07 | 212-04579-91 | 412-01520-02 | 212-08140-91 | 112-08418-01 |
| 10 | 50 | Standard | F1 | 612-05352-08 | 112-08308-06 | 212-04579-91 | 412-01520-02 | 212-08140-91 | 112-08418-02 |
| 10 | 50 | Standard | F2 | 612-05352-07 | 112-08308-05 | 212-04579-91 | 412-01520-02 | 212-08140-91 | 112-08418-02 |
| 8 | 50 | Standard | F1 | 612-05352-08 | 112-08308-06 | 212-04579-91 | 412-01520-02 | 212-08140-91 | 112-08418-02 |
| 8 | 50 | Standard | F2 | 612-05352-07 | 112-08308-05 | 212-04579-91 | 412-01520-02 | 212-08140-91 | 112-08418-02 |

Power Transmission



Double Reduction

| ITEM # | Description | Part Number (Polaris, 16.93) | Part Number (Earth, 16.93) | Part Number (Earth, 19.05) |
|--------|----------------------|---------------------------------|-------------------------------|-------------------------------|
| 1 | Input Sub-Assembly | 212-05643-68 | 212-05643-68 | 212-05643-68 |
| 2 | Input Gear | 212-05637-68 | 212-05653-68 | 212-05662-68 |
| 3 | Carrier Sub-Assembly | 212-05638-68 | 212-05654-68 | 212-05659-68 |
| 4 | Sun Gear | 212-05639-68 | 212-05655-68 | 212-05661-68 |
| 5 | Carrier Sub-Assembly | 212-05640-68 | 212-05656-68 | 212-05660-68 |
| 6 | Ring Gear | 212-05641-68 | 212-05657-68 | 212-05641-68 |
| 7 | Main Case | - | - | - |
| 8 | Output Sub-Assembly | 212-05645-68 | 212-05644-68 | 212-05644-68 |

Input Assembly

All Rexnord Reducers

| Description | RexCon® Part No. |
|---------------------|---------------------|
| Input Shaft | 212-05626-68 |
| Outer Seal | 212-03013-68 |
| Inner Seal | 212-03014-68 |
| Input Seal Carrier | 212-05627-68 |
| Bearing Cone, Outer | 212-03024-68 |
| Bearing Cup, Outer | 212-03023-68 |
| Bearing Cone, Inner | 212-03019-68 |
| Bearing Cup, Inner | 212-03020-68 |
| Input Spacer | 212-05628-68 |
| Input Washer | 212-05629-68 |
| Input Nut | 212-05630-68 |

Output Assembly

| Description | Polaris Part No. | All Earth Reducers Part No. |
|---------------------|---------------------|-----------------------------------|
| Output Shaft | 212-05646-68 | 212-05632-68 |
| Outer Seal | 212-05624-68 | 212-03016-68 |
| Inner Seal | 212-05623-68 | 212-03015-68 |
| Output Seal Carrier | 212-05651-68 | 212-05635-68 |
| Bearing Cone, Outer | 212-00279-68 | 212-03021-68 |
| Bearing Cup, Outer | 212-00280-68 | 212-03022-68 |
| Bearing Cone, Inner | 212-00277-02 | 212-03017-68 |
| Bearing Cup, Inner | 212-00278-68 | 212-03018-68 |
| Retaining Ring | 212-05646-68 | 212-05632-68 |
| Output Washer | 212-05648-68 | 212-05642-68 |
| Output Nut | 212-05647-68 | 212-05633-68 |

Reducers/Drivers



Pinion



Rexnord Earth Drive

| Description | RexCon® Part No. |
|---------------------------|------------------|
| Drive Mount Update Kit | D3H-33-286 |
| Fan, Earth | 212-04579-EFAN |
| Fan, Polaris | 212-04584-PFAN |
| Fan & Shroud Kit, Earth | 212-04579-EFS |
| Fan & Shroud Kit, Polaris | 212-04584-PFS |

| Pinion | RexCon® Part No. |
|--------------------------------------|------------------|
| For use with Rockwell Reducer | 402-01710-02 |
| For use with Rexnord Reducer | 412-01520-02 |
| Rockwell to Rexnord Drive Update Kit | CFI* |
| Bushing, 3-1/2" Bore | 212-08140-91 |
| Bushing, 4" Bore | 212-08144-91 |

CFI - Contact for Information

Kits are available to update from Rockwell to Rexnord drives. Please contact your RexCon® Distributor for further details.

| Reducer/Driver | HP | RexCon® Part No. |
|----------------|-----|------------------|
| Polaris Drive | 125 | 212-04584-91 |
| Earth Drive | 100 | 212-04580-91 |
| Earth Drive | 60 | 212-04579-91 |

Standard Drive Motors

Tilt Mixer Drives Only.



| HP | RPM | Electrical | F1/F2 | RexCon® Part No. |
|-----|------|--------------|-------|------------------|
| 50 | 1750 | 230/460/3/60 | F2 | 112-08308-05 |
| 50 | 1750 | 230/460/3/60 | F1 | 112-08308-06 |
| 60 | 1750 | 230/460/3/60 | F2 | 112-08308-07 |
| 60 | 1750 | 230/460/3/60 | F1 | 112-08308-08 |
| 100 | 1750 | 230/460/3/60 | F2 | 112-08308-09 |
| 100 | 1750 | 230/460/3/60 | F1 | 112-08308-10 |
| 125 | 1750 | 230/460/3/60 | F2 | 212-00254-20 |
| 125 | 1750 | 230/460/3/60 | F1 | 212-00253-20 |

Detachable Discharge Cone



| Description | Drum Size | Qty | RexCon® Part No. |
|--|-----------|-----|------------------|
| Detachable Discharge Cone | 6 - 12M | 1 | 502-03876-80 |
| Poly Liner - Cone | 6 - 12M | 8 | 102-31436-01 |
| Steel Liner - Cone | 6 - 12M | 6 | 112-04714-01 |
| Steel Capacity Blade | 6 - 12M | 4 | 502-05962-80 |
| Poly Lined Capacity Blade | 6 - 12M | 4 | 502-05962-POLY |
| Standard 12yd Detachable Cone Assembly | | | 644-15559-01 |
| 39-1/2" Opening 12yd Detachable Cone Assembly | | | 644-15559-02 |

Detachable Cone Latch Kit



| Description | Drum Size | Qty | RexCon® Part No. |
|------------------|-----------|-----|------------------|
| Latch Kit | | 1 | 712-00913-01 |
| Latch | | 8 | 502-02107-80 |
| Pin | | 8 | 102-06240-01 |
| 1" Sq. Head Bolt | | 8 | 112-07767-01 |
| 1" Jam Nut | | 8 | 398-11000-58 |
| Cottern Pin | | 16 | 398-03000-14 |

Standard Drum Assembly

| Drum Size | Wrapper size | Blade Style | Drum Liner | Blade Liner | RexCon® Part No. |
|-----------|--------------|-------------|------------|-------------|------------------|
| 12L | 3/4" | Spiral | Poly | Steel | 612-05355-24 |
| 12L | 3/4" | Spiral | Poly | Wrap | 612-05355-38 |
| 12S | 3/4" | Standard | Poly | Steel | 612-05355-26 |
| 12S | 3/4" | Standard | Poly | Wrap | 612-05355-35 |
| 12 | 3/4" | Spiral | Poly | Steel | 612-05355-22 |
| 12 | 3/4" | Spiral | Poly | Wrap | 612-05355-28 |
| 12 | 3/4" | Standard | Poly | Steel | 612-05355-19 |
| 12 | 3/4" | Standard | Poly | Wrap | 612-05355-21 |
| 12 | 3/4" | Standard | Poly | Chromium | 612-05355-40 |
| 10 | 3/4" | Standard | Poly | Steel | 612-05355-31 |
| 10 | 3/4" | Standard | Poly | Wrap | 612-05355-33 |
| 8 | 3/8" | Standard | Poly | Steel | 612-05355-10 |
| 8 | 3/8" | Standard | Poly | Poly | 612-05355-11 |

Charge & Discharge Cones

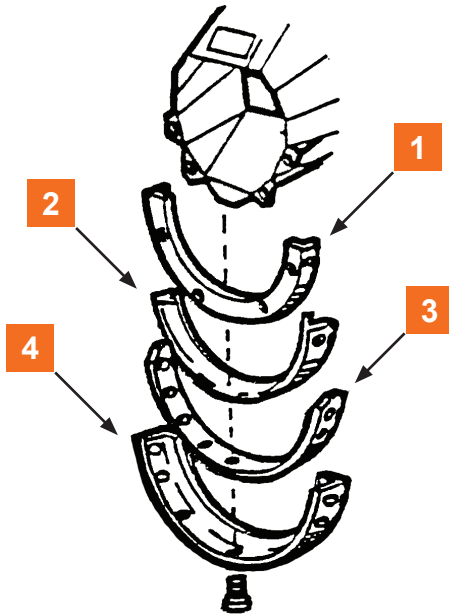
TILT MIXERS

Poly Charge Cone Adapter



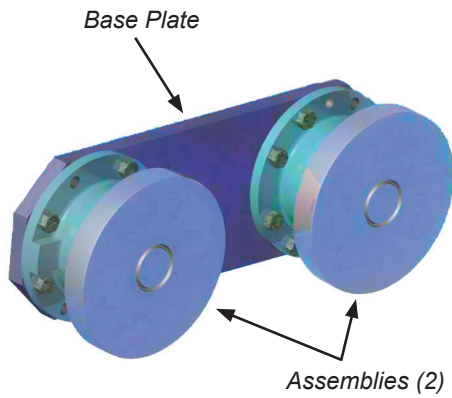
| Description | Qty | RexCon® Part No. |
|--|-----|------------------|
| Poly Adapter Charge Cone Kit: includes Poly Adapter (502-03878-POLY), 3 retainer seals, and hardware | | 644-10241-01 |
| Poly Charge Cone Adapter, 6 - 12M | 1 | 502-03878-POLY |
| Retainer | 3 | 134-10240-01 |
| 3/8" Bolt | 18 | 298-00109-93 |
| 3/8" Flat Washer | 18 | 398-20000-23 |
| 3/8" Nut | 18 | 398-11000-19 |
| 3/8" Lock Washer | 8 | 398-20000-37 |

Charge Chutes



| Item # | Description | RexCon® Part No. |
|--------|-----------------------|------------------|
| 1 | 38" Seal Ring Adaptor | 112-04160-02 |
| 2 | 38" Inner Seal | 112-02416-01 |
| 3 | 38" Outer Seal | 112-02417-01 |
| 4 | 38" Retainer | 112-04230-01 |

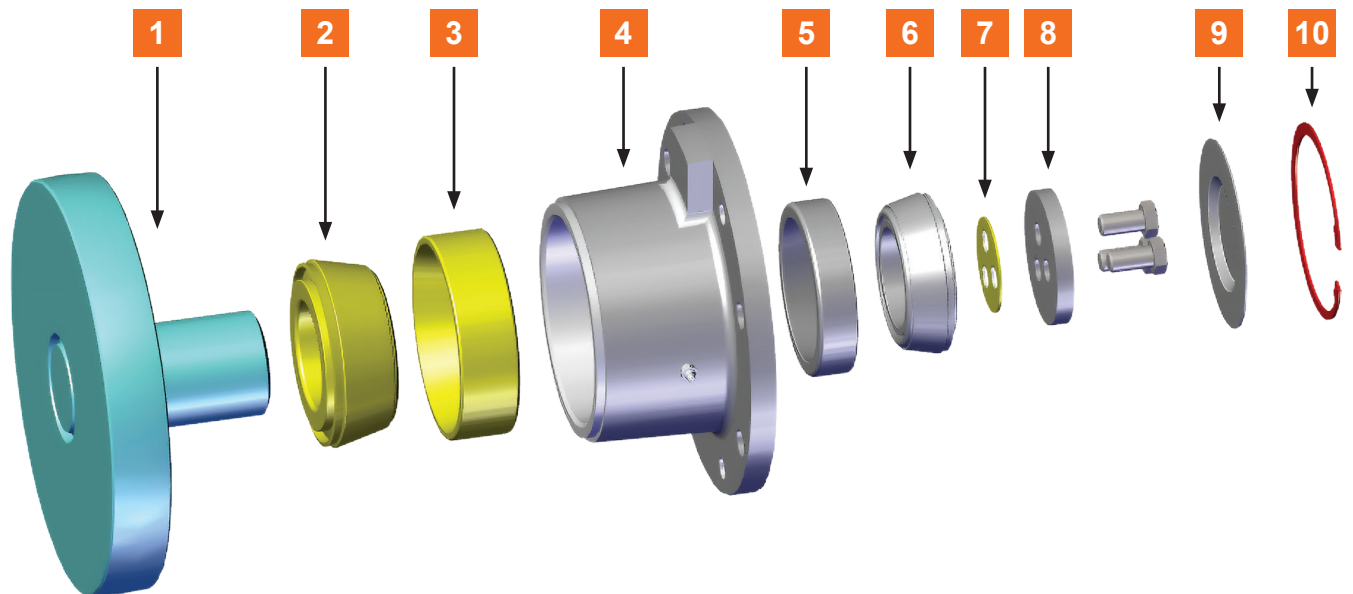
Edge Rollers



Two Edge Roller Assemblies mounted to a Base Plate.

| Item # | Description | RexCon® Part No. |
|-------------------------------|-----------------------------------|------------------|
| Edge Roller Assemblies | | |
| | 1.75" Edge Roller Assembly | 612-05274-02 |
| | 3" Edge Roller Assembly | 602-11213-01 |
| | Base Plate | 102-02986-01 |

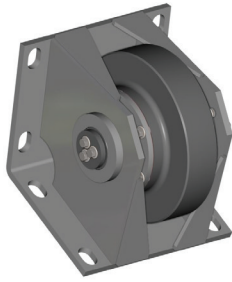
| Edge Roller Components | | |
|-------------------------------|----------------|--------------|
| 1 | Roller | 512-06742-80 |
| 2 | Bearing Cone | 298-00186-02 |
| 3 | Bearing Cup | 298-00144-02 |
| 4 | Housing | 412-02505-02 |
| 5 | Bearing Cup | 298-00184-02 |
| 6 | Bearing Cone | 298-00185-02 |
| 7 | Shim .005" | 112-10147-01 |
| | Shim .007" | 112-10147-02 |
| | Shim .020" | 112-10147-03 |
| 8 | Retainer Plate | 112-08282-01 |
| 9 | Dust Cover | 112-10146-01 |
| 10 | Snap Ring | 298-07510-34 |



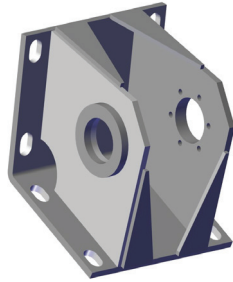
Rollers

TILT MIXERS

Main Rollers

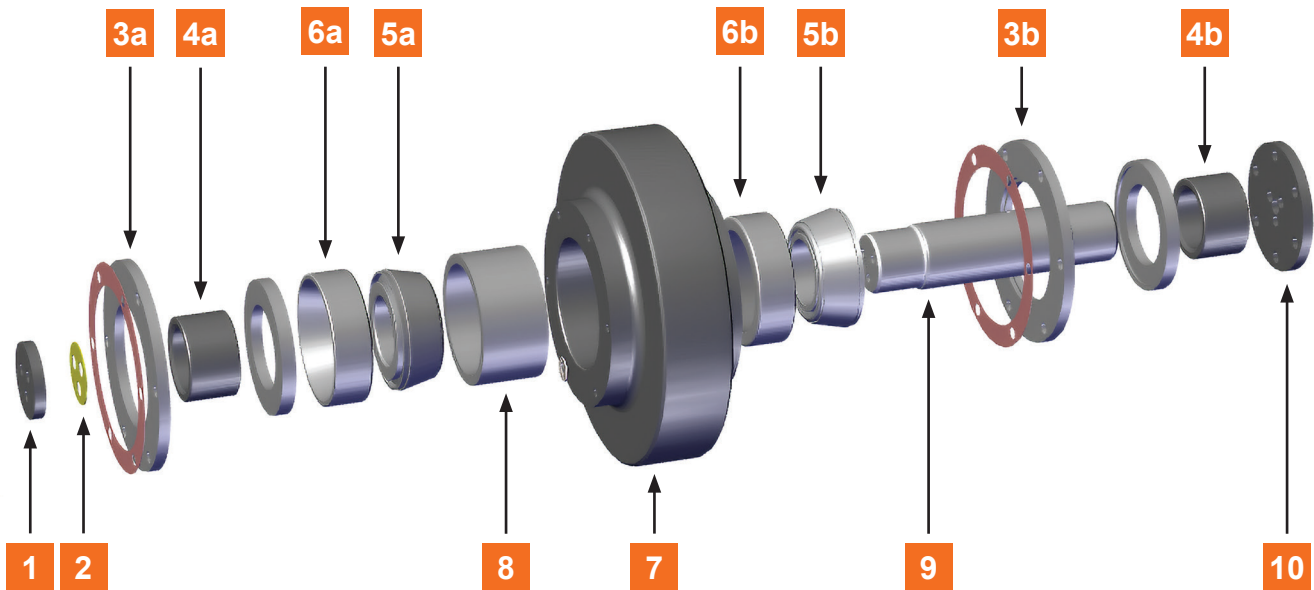


Main Roller Assembly



Support for Main Roller

| Item # | Description | RexCon® Part No. |
|-------------------------------|-----------------------------|------------------|
| Main Roller Assemblies | | |
| | Main Roller Assembly | 602-04956-03 |
| | Support for Main Roller | 502-05626-80 |
| Main Roller Components | | |
| 1 | End Plate | 102-06236-01 |
| 2 | Shim .005" | 298-10006-02 |
| | Shim .007" | 298-10007-02 |
| | Shim .020" | 298-10008-02 |
| 3a, 3b | Gasket | 102-06297-01 |
| | End Cap | 502-02129-80 |
| 4a, 4b | End Spacer | 102-06154-01 |
| 5a, 5b | Bearing Cone | 298-00195-02 |
| 6a, 6b | Bearing Cup | 298-00144-02 |
| 7 | Main Roller | 402-01630-04 |
| 8 | Center Spacer | 102-06298-01 |
| 9 | Shaft | 102-02994-01 |
| 10 | End Plate | 102-02993-01 |

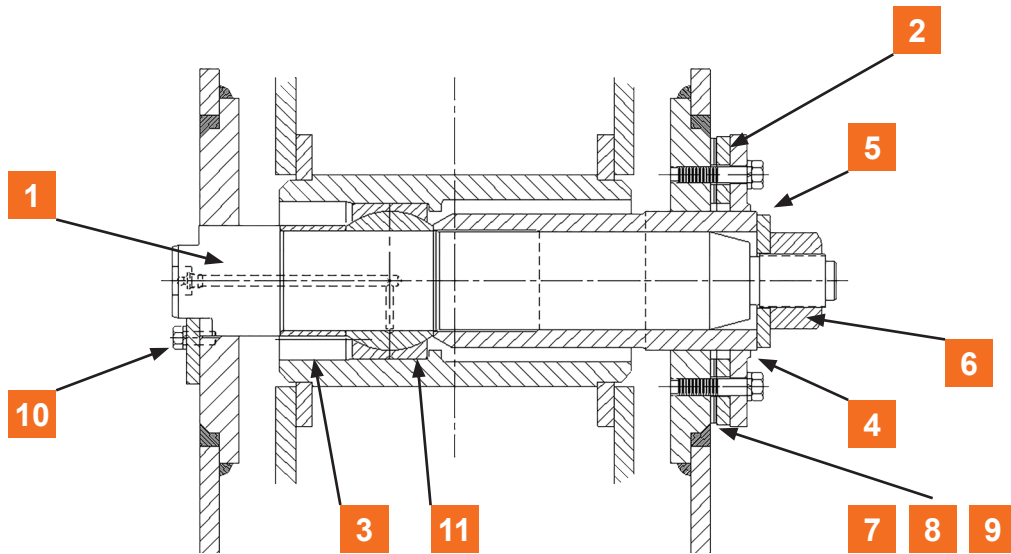


Tilt Pin



| Item # | Description | RexCon® Part No. |
|---|-------------------|------------------|
| Tilt Pin Assembly Kit 602-04919-06 | | |
| 1 | Tilt Pin | 102-04287-01 |
| 2 | Shim | 102-06359-02 |
| 3 | Spacer | 102-06358-01 |
| 4 | Flanged Sleeve | 502-03883-80 |
| 5 | Washer | 102-00634-01 |
| 6 | Special Nut | 102-09094-01 |
| 7 | Shim, 10 ga. | 102-02281-01 |
| 8 | Shim 16 ga. | 102-02281-02 |
| 9 | Shim, 22 ga. | 102-02281-03 |
| 10 | Keeper Plate | 102-00631-01 |
| 11 | Spherical Bearing | 298-06802-08 |

TILT MIXERS



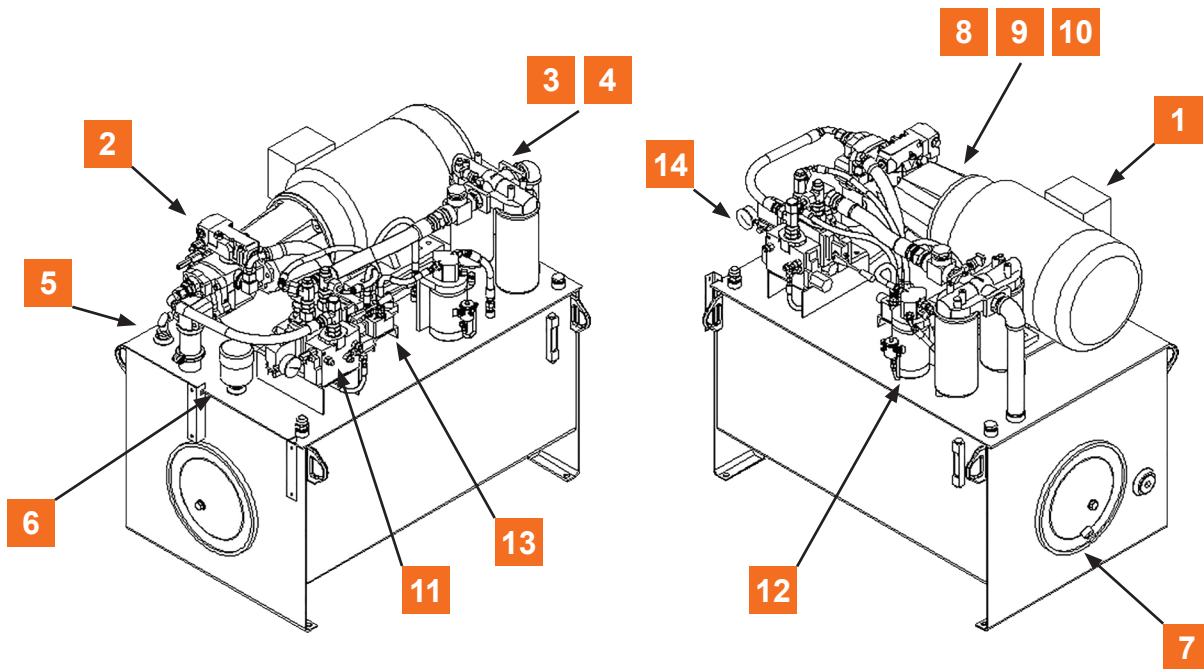
Hydraulic Power Units

TILT MIXERS

Hydraulic Pac



| Item # | Description | RexCon® Part No. |
|--------|---|------------------|
| | Hydraulic Pac Service Assembly, 30 gpm | 114-12224-400 |
| | Hydraulic Pac Assembly, 30 gpm | 114-12224-JMG |
| | Hydraulic Pac Assembly, 45 gpm | 114-12225-02 |
| 1 | Motor, 30 HP | 114-12224-13 |
| 2 | Pump, 33 gpm | 114-12224-18 |
| 2 | Pump, 45 gpm | 114-12224-45 |
| 3 | Filter Head | 114-12224-22 |
| 4 | Filter | 112-05125-99 |
| 5 | Temperature Switch Assembly | 114-12224-55 |
| 6 | Dessicant Breather | 114-12224-25 |
| 7 | Clean Out Gasket, 14" | 114-12224-79 |
| 7 | Clean Out Gasket, 16" | 112-05125-91 |
| 8 | Hub, 1 7/8" | 114-12224-14 |
| 9 | Hub, 1" | 114-12224-15 |
| 10 | Flexible Insert | 114-12224-16 |
| 11 | Proportional Valve | 112-05125-56 |
| | Proportional Valve Coil | 112-05125-66 |
| 12 | Emergency Tilt Pump/Motor | 114-12224-23 |
| 13 | Emergency Tilt Valve | 114-12224-28 |
| 14 | Pressure Gauge, 3,000 psi | 114-12224-20 |

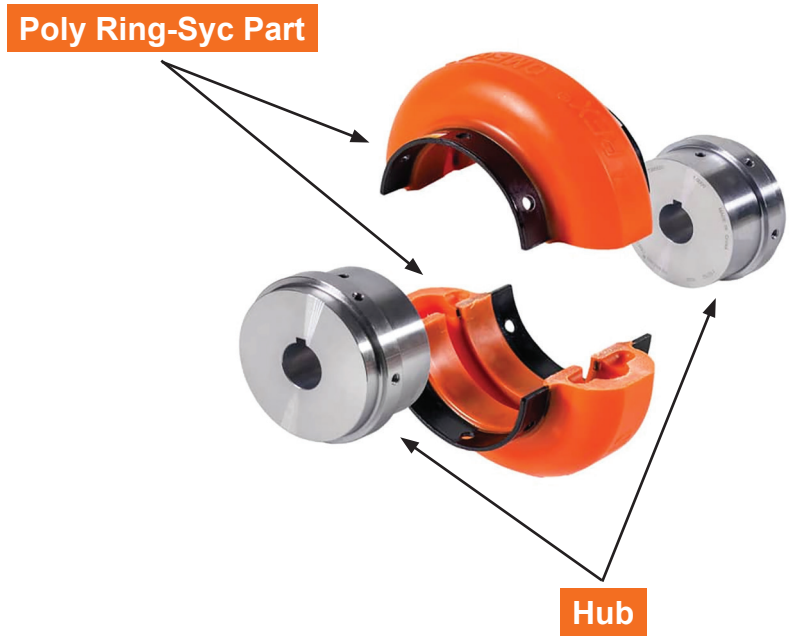


Drive Components

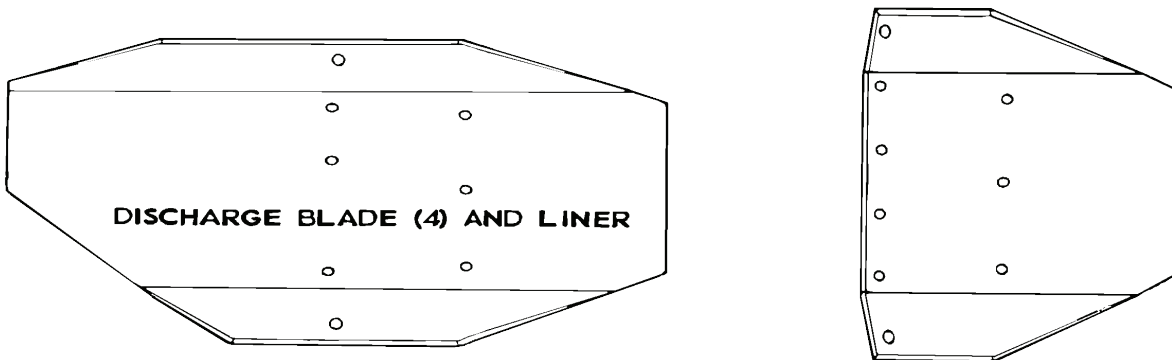
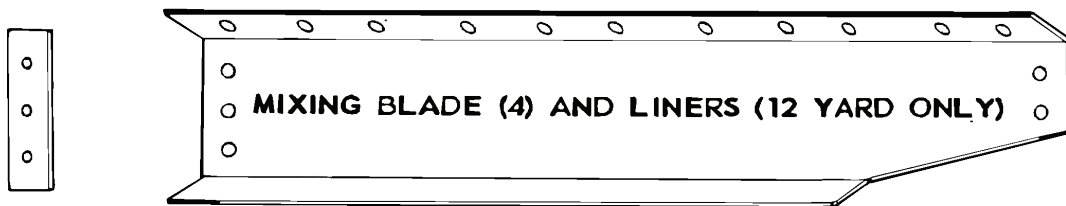
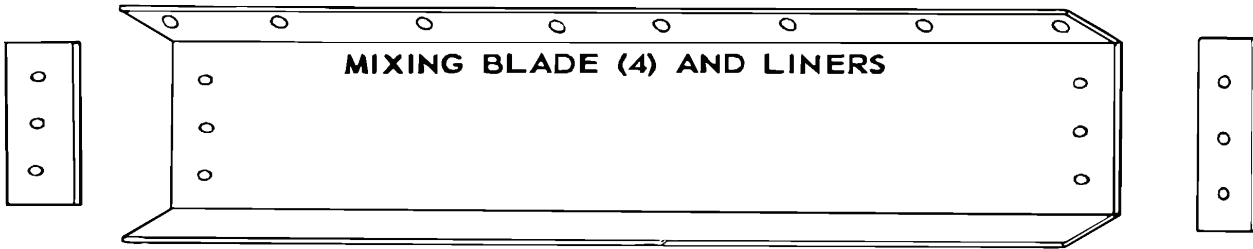
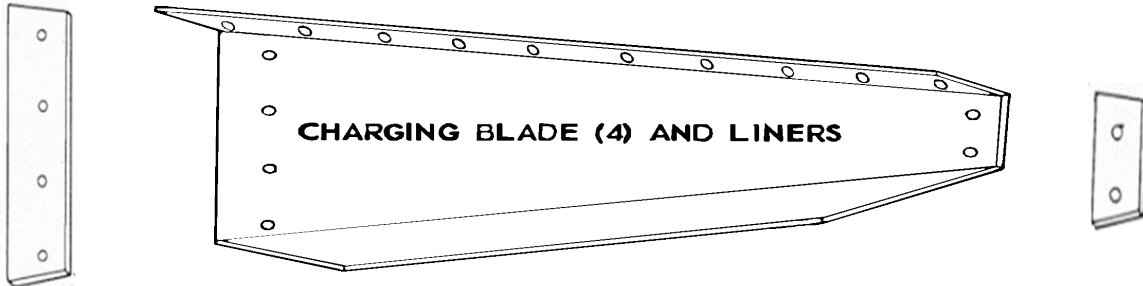
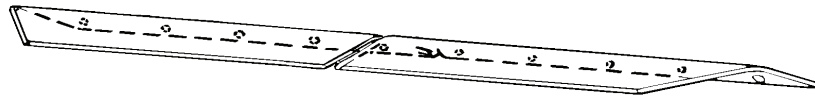
Omega Couplings

| Description | RexCon® Part No. | Bore (In) | Bore Out |
|--|------------------|-----------|----------|
| E30 Size | | | |
| E30 Omega Coupling for 60 HP Tilt Drives | 112-08418-01 | 2-3/4" | 2-1/8" |
| E30 Omega Coupling for 50 & 40 HP Tilt Drives | 112-08418-02 | 2-1/8" | 2-1/8" |
| E30 Omega Coupling for 30 HP Tilt Drives | 112-08418-03 | 2-7/8" | 2-1/8" |
| E30 Hub (2-3/8" Bore) | 112-08418-05 | 2-3/8" | |
| E30 Hub (2-1/8" Bore) | 112-08418-06 | 2-1/8" | |
| E30 Hub (1-7/8" Bore) | 112-08418-07 | 1-7/8" | |
| E30 Poly Ring-Syc Part | 112-08418-10 | | |

| Description | RexCon® Part No. | Bore (In) | Bore Out |
|--|------------------|-----------|----------|
| E40 Size | | | |
| E40 Omega Coupling for 100 & 125 HP Tilt Drives | 112-08418-04 | 2-7/8" | 2-1/8" |
| E40 Hub (2-1/8" Bore) | 112-08418-08 | 2-1/8" | |
| E40 Hub (2-7/8" Bore) | 112-08418-09 | 2-7/8" | |
| E40 Poly Ring-Syc Part | 112-08418-11 | | |



Please refer to the following chart for all drum blade parts.



Blades and Blade-Liner Kits

NOTE: Steel liners are only available by special request. Consult with the factory.

| Description | No. req'd | RexCon® Part No. |
|------------------------------------|-----------|------------------|
| 10 Yard Blades (Blade Only) | | |
| 10 yd. Blade Kit | 1 | 702-02993-01 |
| Steel Charging Blade | 4 | 502-06240-80 |
| Steel Discharge Blade | 4 | 502-05638-80 |
| Steel Mixing Blade | 4 | 502-05641-80 |
| Steel Capacity Blade | 4 | 502-05962-80 |
| Hardware Kit | 1 | 702-02996-HW |

| 10 Yard Blades with Chromium Liners | | |
|--|---|------------------|
| 10 yd. Chromium Lined Blade Kit | 1 | 702-02993-CHROME |
| Charging Blade | 4 | 502-06240-CHROME |
| Mixing Blade | 4 | 502-05641-CHROME |
| Discharge Blade | 4 | 502-05636-CHROME |
| Capacity Blade | 4 | 502-05962-CHROME |
| Hardware Kit | 1 | 702-02996-HW |

| 10 Yard Chromium Liners Only | | |
|-------------------------------------|---|------------------|
| 10 yd. Chromium Liners Only | 1 | 702-03397-CHROME |

| Description | No. req'd | RexCon® Part No. |
|------------------------------------|-----------|------------------|
| 12 Yard Blades (Blade Only) | | |
| 12 yd. Blade Kit | 1 | 702-02996-01 |
| Steel Charging Blade | 4 | 502-06240-80 |
| Steel Discharge Blade | 4 | 502-05638-80 |
| 55° Steel Center Mixing Blade | 2 | 502-06259-80 |
| 30° Steel Center Mixing Blade | 2 | 502-06261-80 |
| Steel Capacity Blade | 4 | 502-05962-80 |
| Hardware Kit | 1 | 702-02996-HW |

| 12 Yard Blades with Chromium Liners | | |
|--|---|------------------|
| 12 yd. Chromium Lined Blade Kit | 1 | 702-02996-CHROME |
| Charging Blade | 4 | 502-06240-CHROME |
| Discharge Blade | 4 | 502-05638-CHROME |
| 55° Center Mixing Blade | 2 | 502-06259-CHROME |
| 30° Center Mixing Blade | 2 | 502-06261-CHROME |
| Capacity Blade | 4 | 502-05962-CHROME |
| Hardware Kit | 1 | 702-02996-HW |

| 12 Yard Chromium Liners Only | | |
|-------------------------------------|---|------------------|
| 12 yd. Chromium Liners Only | 1 | 702-03654-CHROME |

High Speed Blades

12 Yard High Speed Blade Kit

Includes center mix blades only. Purchase charge, discharge, and capacity blades separately which can be lined with steel or wrap-around poly liners.

12 L High Speed Blade Kit

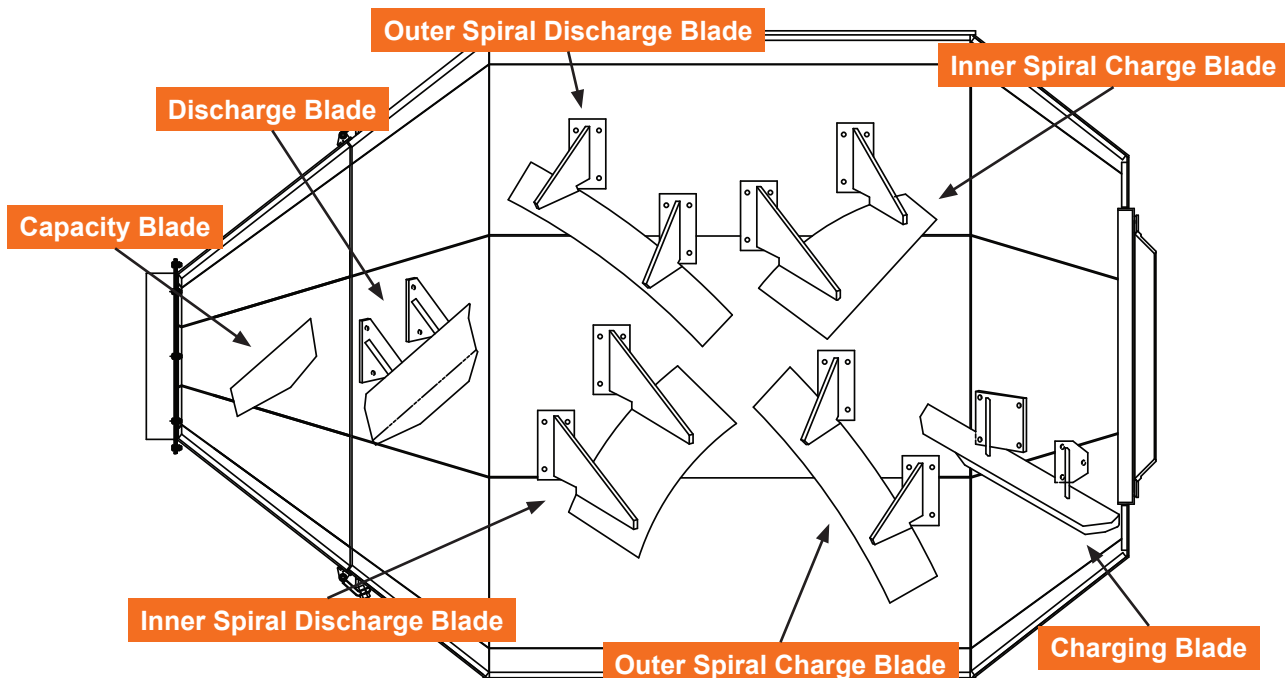
Includes center mix blades only. Purchase charge, discharge, and capacity blades separately which can be lined with steel or wrap-around poly liners.

| Description | RexCon® Part No. |
|---|------------------|
| 12 yd. High Speed Blade Kit | 702-02998-01 |
| Hardware Kit: Includes hardware for all blades. | 702-02998-01HW |

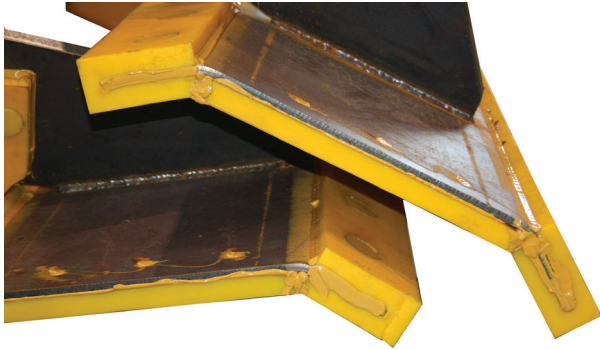
| Description | RexCon® Part No. |
|---|------------------|
| 12 L High Speed Blade Kit | 702-02999-01 |
| Hardware Kit: Includes hardware for all blades. | 702-02999-01HW |

| Description | No. required | RexCon® Part No. |
|------------------------------|--------------|------------------|
| 12 Yard High Speed Blades | | |
| Charging Blade | 4 | 502-06240-XXX |
| Discharge Blade | 4 | 502-05638-XXX |
| Outer Spiral Charge Blade | 4 | 512-07083-81 |
| Inner Spiral Charge Blade | 4 | 512-06987-82 |
| Inner Spiral Discharge Blade | 4 | 512-06987-81 |
| Outer Spiral Discharge Blade | 4 | 512-06987-80 |
| Capacity Blade | 4 | 502-05962-XXX |

| Description | No. required | RexCon® Part No. |
|------------------------------|--------------|------------------|
| 12 L High Speed Blades | | |
| Charging Blade | 4 | 502-06240-XXX |
| Discharge Blade | 4 | 502-05638-XXX |
| Outer Spiral Charge Blade | 4 | 512-07083-80 |
| Inner Spiral Charge Blade | 4 | 512-06987-82 |
| Inner Spiral Discharge Blade | 4 | 544-11769-80 |
| Outer Spiral Discharge Blade | 4 | 544-11768-80 |
| Capacity Blade | 4 | 502-05962-XXX |

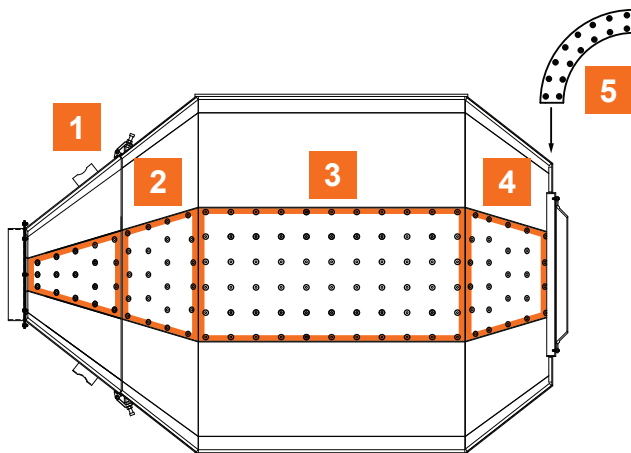


Polyurethane Blade Liners



| Description | No. req'd | RexCon® Part No. |
|--|-----------|------------------|
| 10 Yard Blades with Wrap-Around Poly Liners | | |
| 10 yd. Blade Kit with Wrap-Around Poly Liners | 1 | 702-02993-WRAP |
| 10 yd. Wrap-Around Liners Only | 1 | 702-03397-WRAP |
| Charging Blade | 4 | 502-06240-WRAP |
| Mixing Blade | 4 | 502-05641-WRAP |
| Discharge Blade | 4 | 502-05638-WRAP |
| Capacity Blade | 4 | 502-05962-POLYB |
| Hardware Kit | 1 | 702-02996-HW |
| 12 Yard Blades with Wrap-Around Poly Liners | | |
| 12 yd. Blade Kit with Wrap-Around Poly Liners | 1 | 702-02996-WRAP |
| 12 yd. Wrap-Around Liners Only | 1 | 702-03654-WRAP |
| Charging Blade | 4 | 502-06240-WRAP |
| Discharge Blade | 4 | 502-05638-WRAP |
| 55° Mixing Blade | 2 | 502-06259-WRAP |
| 30° Mixing Blade | 2 | 502-06261-WRAP |
| Capacity Blade | 4 | 502-05962-POLYB |
| Hardware Kit | 1 | 702-02996-HW |

Rex Tilt Mixer Poly Liners

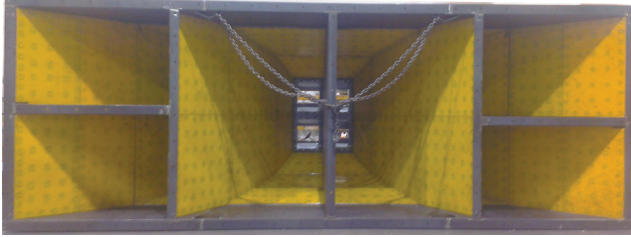


- 1 Nose Cone Liner
- 2 Discharge Cone Liner
- 3 Belly Liner
- 4 Charge Cone Liner
- 5 End Ring Liner

| Description | No. req'd | RexCon® Part No. |
|---|-----------|------------------|
| 10 Yard Rex Tilt Mixer Poly Liners | | |
| 10 yd. Poly Drum Liner Kit | 1 | 702-03393-01 |
| Poly Belly Liner | 8 | 102-31448-01 |
| Poly End Ring | 4 | 102-31433-01 |
| Poly Charge Cone | 8 | 102-31434-01 |
| Poly Discharge (Nose) Cone Ext. | 8 | 102-31436-01 |
| Poly Discharge Cone | 8 | 102-31437-01 |
| 12 Yard Rex Tilt Mixer Poly Liners | | |
| 12 yd. Poly Drum Liner Kit | 1 | 702-03395-01 |
| Poly Belly Liner | 8 | 102-31435-01 |
| Poly End Ring | 4 | 102-31433-01 |
| Poly Charge Cone | 8 | 102-31434-01 |
| Poly Discharge (Nose) Cone Ext. | 8 | 102-31436-01 |
| Poly Discharge Cone | 8 | 102-31437-01 |

Plant Component Liners

We can cut and supply the proper fitting liners for any plant component that requires wear protection from batch material.



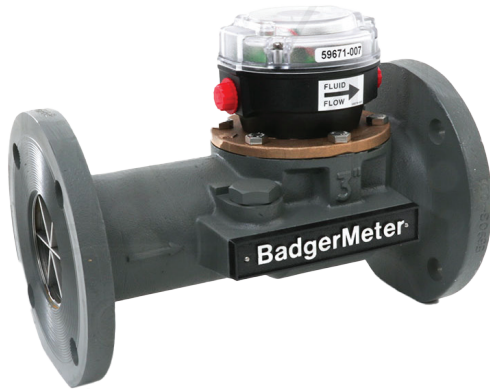
CFI - Contact for Information

Various types of liners available for different wear resistant applications; consult with the factory for specific pricing and availability.

Please contact your RexCon® Distributor for further details.

Water Meters

Turbo Meters



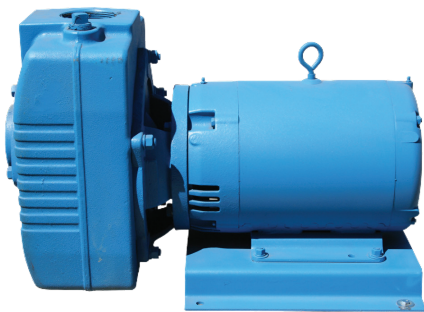
| Description | RexCon® Part No. |
|-----------------------------|------------------|
| 2" Turbo Water Meter | |
| 2" Badger Turbo Meter | 298-02178-56 |
| Rotor & Spindle | 112-10114-70 |
| Head Tetraseal | 112-10114-39 |
| Head Gasket | 112-10114-52 |
| 3" Turbo Water Meter | |
| 3" Badger Turbo Meter | 298-02177-56 |
| Rotor & Spindle | 112-10114-71 |
| Pulse Transmitter | 212-02112-56 |
| Head Tetraseal | 112-10114-39 |
| Head Gasket | 112-10114-52 |
| Straightening Vane | 112-10114-28 |
| PFT4E Board | 298-00231-00 |
| Badger Turbo Meter Head | 112-10114-22 |

Mag Meters



| Description | RexCon® Part No. |
|--------------|------------------|
| 3" Mag Meter | 212-11096-53 |
| 2" Mag Meter | 298-02178-56 |

Water Pumps



| Description | RexCon® Part No. |
|-----------------------|------------------|
| 3" 15 HP Assembly | 612-05134-01 |
| Pump | 212-00037-56 |
| Drive Coupling | 212-08239-91 |
| Motor: 15 HP | 212-00141-20 |
| Power Flow Water Pump | 212-02167-56 |

Auto Lube System



| Description | RexCon® Part No. |
|-----------------------------|------------------|
| Tilt Mixer Auto Lube System | 644-14318-03 |
| Auto Lube Repair Kit | 114-14243-400 |
| Pump with Reservoir | 114-14243-90 |

Call our parts department for individual grease system parts: 262-539-4050.

Drip Oiler



| Description | RexCon® Part No. |
|----------------------|------------------|
| Drip Oiler Assembly | 644-14944-01 |
| Drip Oiler | 212-11164-53 |
| Coil | 212-11164-53-01 |
| Sight Glass Assembly | 212-1116453-02 |

Ring Gear Self Lubricator



| Description | RexCon® Part No. |
|--------------------------------|------------------|
| Ring Gear Self Lubricating Kit | 644-15758-400 |
| Pump with Hoses | 114-15757-01 |
| Timer | 60-66541-01 |
| Grease Manifold | 524-15759-80 |

Central Lube Systems

| Description | RexCon® Part No. |
|----------------------------------|------------------|
| Base Trailer Central Lube System | 644-14340-01 |
| Horizontal Mixer Central Lube | 644-14314-03 |

LUBRICATION SYSTEMS

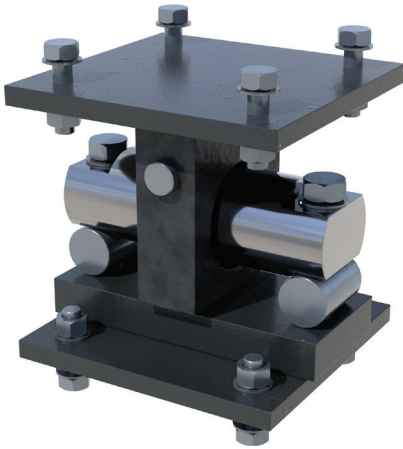
Load Cells

S-Type (Hanging)



| Description | RexCon® Part No. |
|-------------|------------------|
| 1,500 lb. | 298-00233-17 |
| 2,000 lb. | 298-00234-17 |
| 2,500 lb. | 298-00235-17 |
| 3,000 lb. | 298-00236-17 |
| 5,000 lb. | 298-00237-17 |
| 10,000 lb. | 298-00238-17 |
| 15,000 lb. | 298-00239-17 |
| 20,000 lb. | 298-00240-17 |

Compression Type



| Description | RexCon® Part No. |
|-----------------------------------|------------------|
| 5,000 lb. compression | 212-26152-17 |
| 10,000 lb. compression with mount | 212-26141-18 |
| 20,000 lb. compression with mount | 212-26142-18 |

Tilt Speed Control



| Description | RexCon® Part No. |
|--|------------------|
| Tilt Speed Control Assembly (Table Top) | 60-66489-01 |
| Tilt Speed Control Board | 20-14083-17 |
| Potentiometer | 298-16019-17 |
| Knob, Potentiometer | 298-00115-17 |
| Power Supply | 20-23096-17 |
| Lens, Green | 298-12035-17 |
| Light Socket | 298-12033-17 |
| LED Bulb, White | 298-12041-17 |

Mixer Junction Box



Mixer Junction Box

| Description | RexCon® Part No. |
|------------------------------|------------------|
| Mixer Junction Box | 60-66304-01 |
| Emergency Stop Button | 298-06152-17 |
| Emergency Stop Contact Block | 298-06013-17 |
| Horn | 298-00138-17 |
| Horn Gasket | 20-00516-17 |

| Mixer Junction Box (2020 and later) | |
|-------------------------------------|------------------|
| Description | RexCon® Part No. |
| Mixer Junction Box | 60-66570-01 |
| Emergency Stop Button | 298-07137-17 |
| Emergency Stop Contact Block | 298-07131-02 |
| Horn with Gasket | 298-00538-17 |

Relays



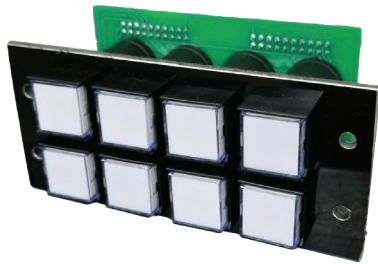
| Description | RexCon® Part No. |
|---|------------------|
| Black Opt Relay | 20-14058-17 |
| Yellow Opt Relay | 20-15125-17 |
| Fuse, 3 amp (for use with Black Opt Relay and Yellow Opt Relay) | 20-11092-17 |
| Relay, 120V AC with Socket Phoenix Contact | 20-14112-17 |
| Relay, 24V DC with Socket Phoenix Contact | 20-14113-17 |
| Relay, 24V DC Coil with Socket Mech Form C | 20-14119-17 |
| Timing Relay, Multimode 1, Form C | 20-20593-17 |

Buttons

ELECTRICAL



Push Button Operator

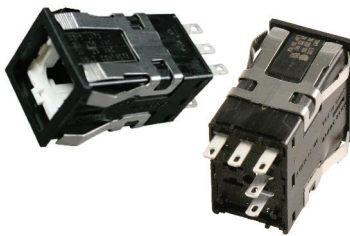


LED Push Button Assembly, current style

| Description | RexCon® Part No. |
|---|------------------|
| Push Button Operator | 298-06030-17 |
| LED Push Button Assembly (8 buttons, current style) | 20-15149 |
| LED Push Button Assembly (8 buttons, old style) | 60-66273-01 |
| Push Button Caps | 20-06414-17 |
| Push Button Amber Lamps | 20-12156-17 |
| Push Button Red Lamps | 20-12163-17 |

Switches

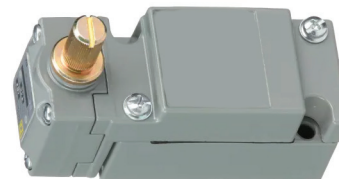
Switches



Push Button Switch



Float Switch



Limit Switch

| Description | RexCon® Part No. |
|------------------------------|------------------|
| Push Button 1-Pole Momentary | 298-06223-17 |
| Push Button 2-Pole Momentary | 298-06198-17 |
| Push Button 2-Pole Maintain | 298-06199-17 |
| Float Switch | 212-00105-17 |
| Limit Switch Arm | 212-00029-17 |
| Limit Switch | 298-06568-17 |

Contact Blocks



| Description | RexCon® Part No. |
|------------------------------------|------------------|
| 1 normally open, 1 normally closed | 298-06021-17 |
| 1 normally open | 298-06012-17 |
| 2 normally open | 298-06004-17 |
| 1 normally closed | 298-06013-17 |
| 2 normally closed | 298-06051-17 |

Indicators



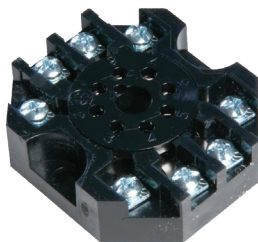
Showing 4 each of Plates, Sockets, Bulbs, and Lenses



LCD Water Counter

| Description | RexCon® Part No. |
|---|------------------|
| Legend Plate | 102-11437-01 |
| Light Holder/Socket | 298-12033-17 |
| Bulbs | 298-12041-17 |
| Red Lens | 298-12034-17 |
| Clear Lens | 298-12036-17 |
| Warning Light for Decumulative Bin (consult factory for complete system) | 60-66464-01 |
| LCD Water Counter (2 batteries required, see battery part 298-03262-17 below) | 298-20566-17 |
| Battery for LCD Counter (1 battery) | 298-03262-17 |
| LCD Water Counter with built-in, non-replaceable batteries | 298-20568-17 |

Miscellaneous



Socket-Octal-8-Term

| Description | RexCon® Part No. |
|--|------------------|
| Cords | OIR* |
| Socket-Octal-8-Term | 298-13214-17 |
| Relay DPDT 115V 60 CY (for use with Socket-Octal-8-Term) | 298-15004-17 |
| Timer, 110V AC Plug in 0-10 Hrs (for use with Socket-Octal-8-Term) | 20-20586 |

OIR - Ordering Information Required

Cords are manufactured by motor horsepower rating, number of connector pins, and cord length. We can supply custom cords for your individual plant needs.

Table of Contents

BOOTS

| | |
|----------------------|---|
| GUM RUBBER..... | 1 |
| PRE-CUT LENGTHS..... | 1 |
| BULK SIZES..... | 2 |

PNEUMATICS

| | |
|-----------------------------|---|
| CYLINDERS..... | 4 |
| AIR CYLINDERS..... | 4 |
| HYDRAULIC CYLINDERS..... | 4 |
| PINS..... | 5 |
| AIR TREATMENT..... | 5 |
| AIR VALVES..... | 5 |
| AIR & HYDRAULIC VALVES..... | 6 |

DUST COLLECTION

| | |
|---------------------------------|---|
| REPLACEMENT FILTERS..... | 7 |
| BAGS (FOR RA AND BP UNITS)..... | 7 |
| CARTRIDGES (FOR CP UNITS)..... | 7 |
| RETURN BLOWERS & PARTS..... | 7 |
| COUPLINGS..... | 8 |
| ELECTRICAL TIMERS..... | 8 |
| BUTTERFLY VALVES & PARTS..... | 8 |
| SOLENOID VALVES..... | 9 |

GATE VALVES & ACTUATORS

| | |
|------------------------------------|----|
| GATES..... | 11 |
| AGGREGATE BIN CLAMSHELL GATES..... | 11 |
| GATE ACCESSORIES..... | 11 |
| ASSEMBLIES..... | 12 |
| CONVERSION KITS..... | 12 |
| BUTTERFLY & ACTUATOR..... | 13 |
| CRANE® CENTER LINE..... | 13 |
| KEYSTONE®..... | 13 |
| BRAY®..... | 13 |

BIN COMPONENTS

| | |
|---------------------------|----|
| BIN COMPONENTS..... | 15 |
| BIN LEVEL INDICATORS..... | 15 |
| VIBRATORS..... | 15 |

SILO COMPONENTS

| | |
|--------------------------|----|
| SILO AERATION..... | 17 |
| AERATION COMPONENTS..... | 17 |
| BLOWERS & VALVES..... | 17 |

Table of Contents

TABLE OF CONTENTS

AGGREGATE CONVEYORS

| | |
|---------------------------------|----|
| IDLERS..... | 19 |
| TROUGHING & RETURN IDLERS | 19 |
| PULLEYS | 19 |
| CONVEYOR BELT WIPERS..... | 19 |
| NEW SPRING LOADED WIPERS | 19 |
| CONVEYOR ACCESSORIES..... | 20 |

POWER TRANSMISSION

| | |
|-----------------------------|----|
| POWER TRANSMISSION | 21 |
| MIXER DRIVE ASSEMBLIES..... | 21 |
| DOUBLE REDUCTION | 22 |
| INPUT ASSEMBLY | 22 |
| OUTPUT ASSEMBLY | 22 |
| REDUCERS/DRIVERS | 23 |
| STANDARD DRIVE MOTORS | 23 |

TILT MIXERS

| | |
|----------------------------------|----|
| CHARGE & DISCHARGE CONES..... | 25 |
| DETACHABLE DISCHARGE CONE | 25 |
| DETACHABLE CONE LATCH KIT | 25 |
| STANDARD DRUM ASSEMBLY..... | 25 |
| POLY CHARGE CONE ADAPTER..... | 26 |
| CHARGE CHUTES | 26 |
| ROLLERS..... | 27 |
| EDGE ROLLERS..... | 27 |
| MAIN ROLLERS | 28 |
| TILT PIN | 29 |
| HYDRAULIC POWER UNITS..... | 30 |
| HYDRAULIC PAC | 30 |
| DRIVE COMPONENTS..... | 31 |
| OMEGA COUPLINGS | 31 |
| CONSUMABLES | 32 |
| BLADES AND BLADE-LINER KITS..... | 33 |
| HIGH SPEED BLADES | 34 |
| POLYURETHANE BLADE LINERS | 35 |
| REX TILT MIXER POLY LINERS | 35 |
| PLANT COMPONENT LINERS | 36 |

WATER SYSTEMS

WATER METERS..... 37

 TURBO METERS 37

 MAG METERS..... 37

WATER PUMPS..... 37

LUBRICATION SYSTEMS

AUTO LUBE SYSTEMS 39

 AUTO LUBE SYSTEM..... 39

 DRIP OILER..... 39

 RING GEAR SELF LUBRICATOR 39

CENTRAL LUBE SYSTEMS..... 39

WEIGH SYSTEMS

LOAD CELLS..... 41

 S-TYPE (HANGING) 41

 COMPRESSION TYPE..... 41

ELECTRICAL

JUNCTION BOXES..... 43

 TILT SPEED CONTROL 43

 MIXER JUNCTION BOX..... 43

RELAYS 43

BUTTONS..... 44

SWITCHES..... 44

 SWITCHES 44

 CONTACT BLOCKS 45

INDICATORS..... 45

MISCELLANEOUS 45



ASTEC™

www.astecindustries.com