



An Oshkosh Corporation Company

SPECIFICATIONS FOR MODEL PJ-980D DUST COLLECTION SYSTEM

MODEL CON-E-CO PJ-980D

NUMBER OF BAGS	66
NOMINAL BAG DIAMETER	6"
NOMINAL BAG LENGTH	120"
TOTAL FILTRATION AREA	980 SQ. FT.
MIN. DESIGN EFFICIENCY OF DUST COLLECTOR	99.9%
AIR TO CLOTH RATIO	6.0 TO 1.0
BLOWER HP	15 HP
STATIC PRESSURE DROP	9" (INCHES OF WATER)
BLOWER AIR FLOW	5880 C.F.M.
DISCHARGE VELOCITY	60.7 FT. / SEC.
DISCHARGE AREA	1.60 SQ. FT.
DIRECTION OF AIR DISCHARGE	HORIZONTAL
DISCHARGE SHAPE	11 1/2" X 20" RECTANGLE
NORMAL OPERATING DISCHARGE TEMP & PRESSURE	AMBIENT
OUTLET MOISTURE CONTENT	IDEALLY ZERO
CLEANING MECHANISM	PULSE JET
FREQUENCY OF CLEANING	VARIABLE

BAG SPECIFICATIONS

BAG DIAMETER	5.93"
BAG LENGTH	121"
CONSTRUCTION	SEAMED
FIBER	POLYESTER FELT
FINISH	SINGED
WEIGHT	16 OZ / SQ. YD.
PERMEABILITY (.5" WATER)	20-30 CFM
FIBER SIZE	2.5 DENIER AVERAGE

BATCH PLANT DUST EMISSIONS CALCULATIONS

INTO BAGS

CEMENT SILO

LB / HR	<u>INTO BAGS</u>
GR / FT ³	.177 LB/YD ³ * ___ YD ³ /HR
	.020 GR HR/LB FT ³ * ___ LB/HR

FLYASH SILO

LB / HR	<u>INTO BAGS</u>
GR / FT ³	.115 LB/YD ³ * ___ YD ³ /HR
	.020 GR HR/LB FT ³ * ___ LB/HR

CENTRAL MIX

LB / HR	.153 LB/YD ³ * ___ YD ³ /HR
GR / FT ³	.020 GR HR/LB FT ³ * ___ LB/HR

TRUCK MIX

LB / HR	.281 LB/YD ³ * ___ YD ³ /HR
GR / FT ³	.020 GR HR/LB FT ³ * ___ LB/HR

OUT OF BAGS

FOR ALL OUT OF BAGS VALUES, MULTIPLY THE INTO BAGS VALUES BY .001.

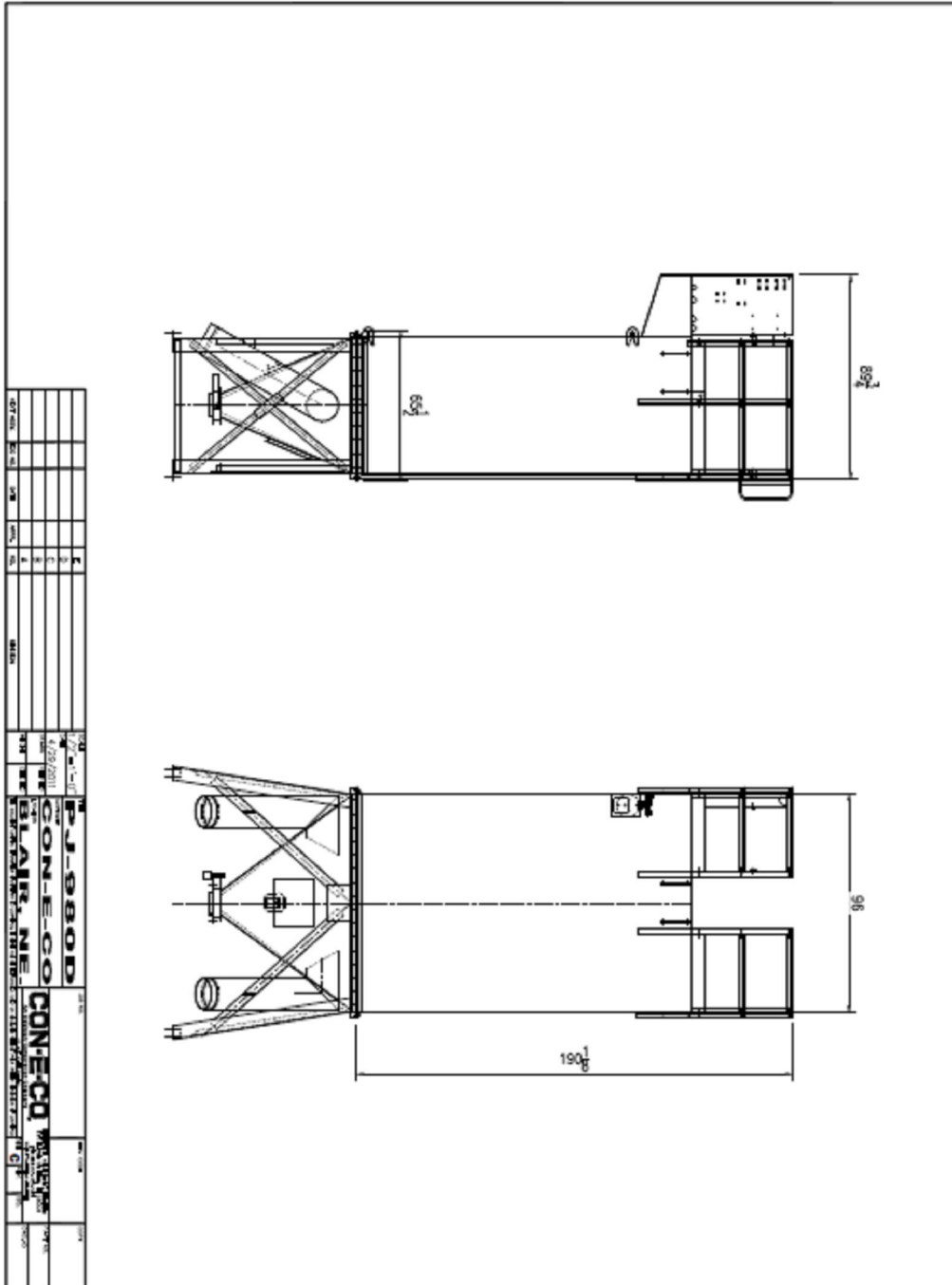


SOLID PRODUCTS. SOLID PERFORMANCE.

237 N. 13TH ST - PO Box 430 - Blair, NE 68008

Phone: 800-656-2651 Fax: 402-426-4181 Service/Parts Fax: (402)-533-9292

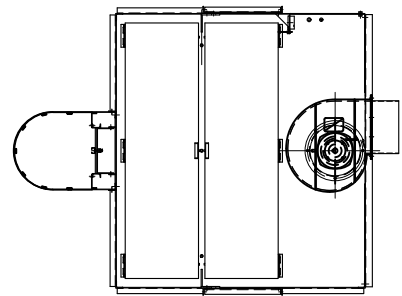
E-MAIL: parts@con-e-co.com WEBSITE: www.con-e-co.com



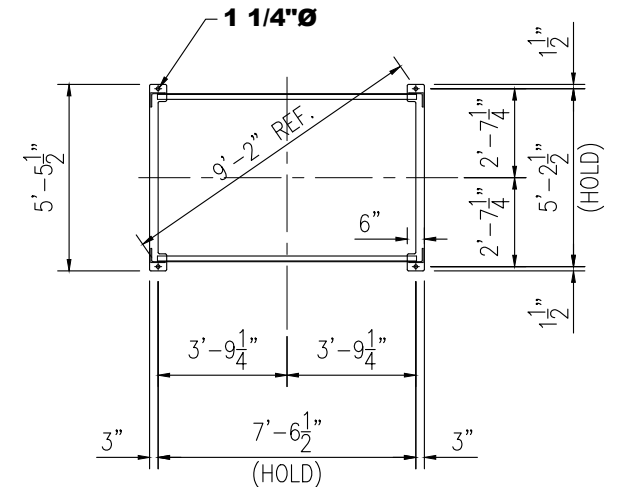
REV	DATE	BY	CHKD	DESCRIPTION
1	02/20/11
2
3
4
5
6
7
8
9
10
11
12
13
14
15
16
17
18
19
20
21
22
23
24
25
26
27
28
29
30
31
32
33
34
35
36
37
38
39
40
41
42
43
44
45
46
47
48
49
50
51
52
53
54
55
56
57
58
59
60
61
62
63
64
65
66
67
68
69
70
71
72
73
74
75
76
77
78
79
80
81
82
83
84
85
86
87
88
89
90
91
92
93
94
95
96
97
98
99
100



SOLID PRODUCTS. SOLID PERFORMANCE.
 237 N. 13TH ST - PO Box 430 - Blair, NE 68008
 Phone: 800-656-2651 Fax: 402-426-4181 Service/Parts Fax: (402)-533-9292
 E-MAIL: parts@con-e-co.com WEBSITE: www.con-e-co.com

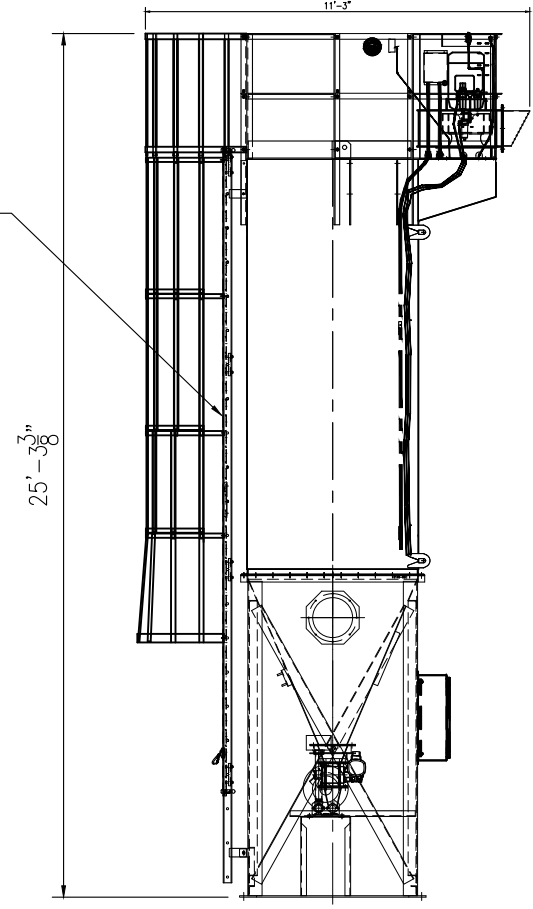


PLAN VIEW

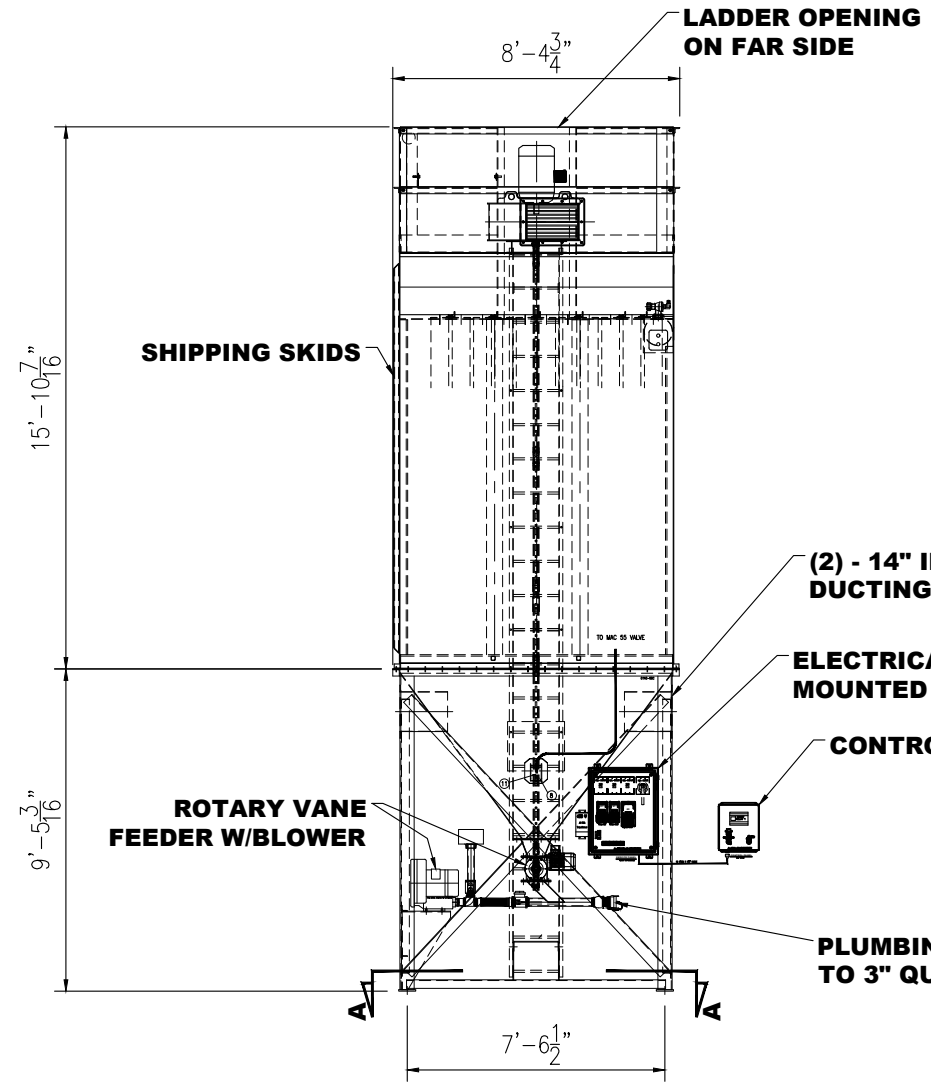


SECTION VIEW A-A

LADDER W/SAFETY CAGES & GLIDELOC



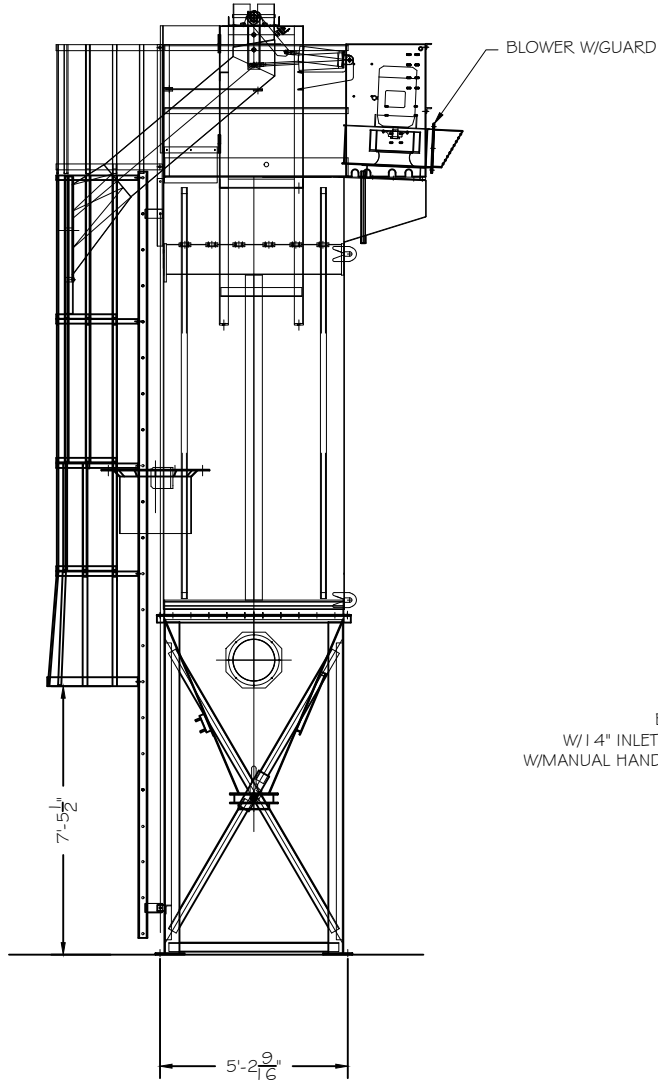
SIDE VIEW



FRONT VIEW

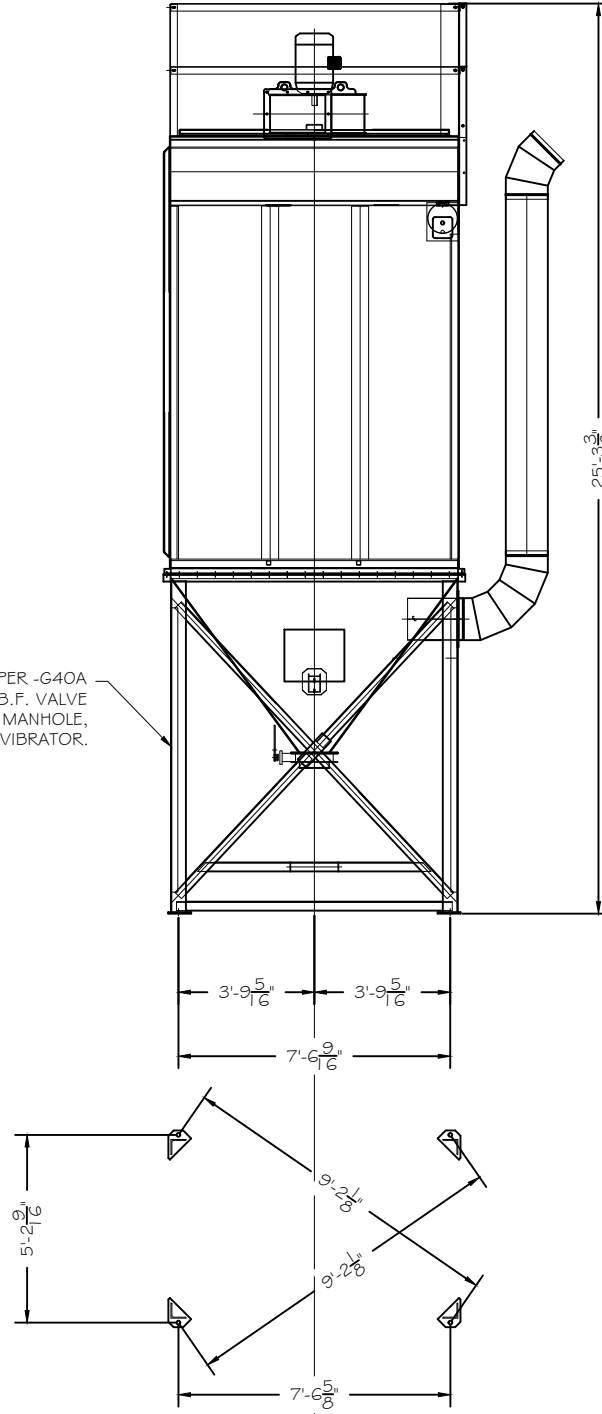
- (2) - 14" INLETS DUCTING BY CUSTOMER
- ELECTRICAL SERVICE MOUNTED ON BAGHOUSE
- CONTROL SHIPPED LOOSE
- PLUMBING BY CUSTOMER TO 3" QUICK COUPLING

				E		SCALE	3/16"=1'-0"	TITLE	PJ-980D GENERAL LAYOUT	JOB NO.		ITEM CODE	BH	COPY	
				D		DATE	11/21/2019	CUSTOMER	WITH OPTIONAL FEEDER						
				C		DRAWN	JON	CHECKED				CON-E-CO. An Oshkosh Corporation Company	concrete equipment company	PART NO.	
				B		WEIGHT		CHECKED					237 N. 13th St. Blair, NE 68008		
				A								phone: 402-426-4181			
NEXT ASSY.	PRIDE	DATE	APPR.	NO.	REVISION							website: con-e-co.com		DWG. NO.	LAYOUT
										DO NOT SCALE DRAWING		SIZE	B	REV.	OBS.
THIS DOCUMENT CONTAINS INFORMATION PROPRIETARY TO CON-E-CO. IT SHALL NOT BE REPRODUCED, USED OR DISCLOSED WITHOUT PRIOR WRITTEN PERMISSION OF CON-E-CO.															



BAGHOUSE HOPPER -G40A
 W/1 4" INLET RING, 10" DIA. B.F. VALVE
 W/MANUAL HANDLE, INSPECTION MANHOLE,
 & AIR VIBRATOR.

PJ980DI BAGHOUSE



IND/REVISION	DATE	CON-E-CO_PJ980DI_INTERNATIONAL_DUST_COLLECTOR	
		GENERAL_LAYOUT	
DRAWN	CHECK	DRAWING NO.	REVISION
SH	SH	000-000	000-000
		SCALE	#
		8.5X11 3/16"=1'-0"	SHEETXOFX
		DATE	APN:
		12/08/21	



THIS DRAWING IS THE PROPERTY OF DHE INC. AND IS NOT TO BE REPRODUCED OR TRANSMITTED IN ANY FORM OR BY ANY MEANS, ELECTRONIC OR MECHANICAL, INCLUDING PHOTOCOPYING, RECORDING, OR BY ANY INFORMATION STORAGE AND RETRIEVAL SYSTEM. WITHOUT THE WRITTEN PERMISSION OF DHE INC. THIS DRAWING IS EXCLUSIVELY FOR REFERENCE WORK ON CONTRACTS. FOR PROPOSALS SUBMITTED BY INTERPRESS, INC. AND SHALL BE RETURNED ON REQUEST. ALL RIGHTS RESERVED.